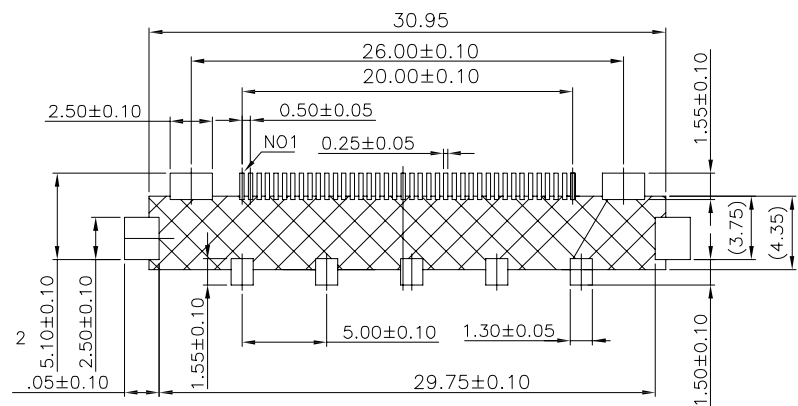
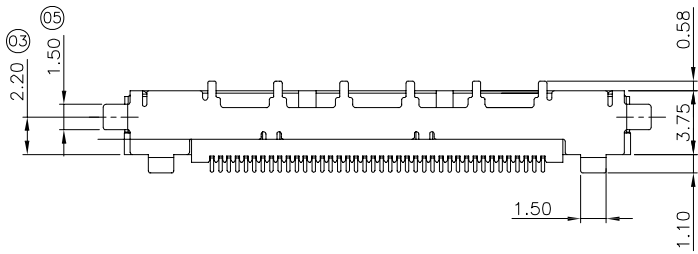
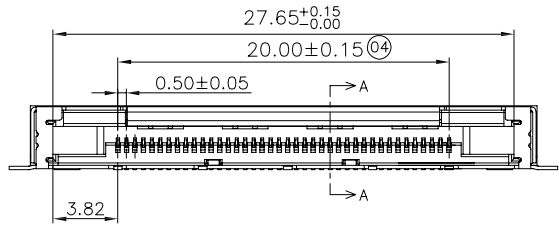
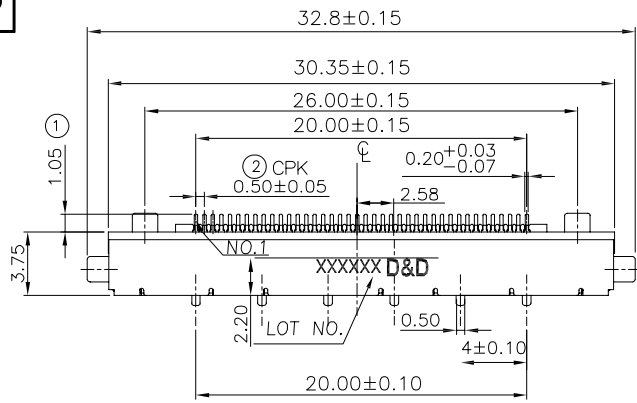
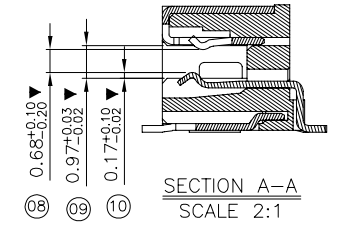
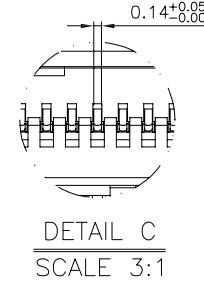
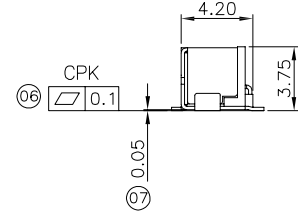
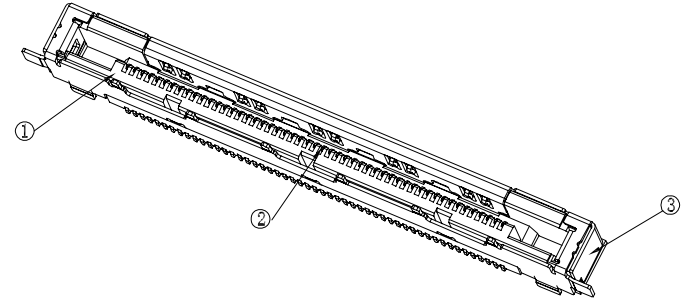


RoHS

Mark	ECN NO.	DESCRIPTION	DESIGN	Date:
A		New		



RECOMMEND P.C.B LAYOUT



1	HOUSING	LCP, BLACK	1	
2	SHELL	SUS304R-3/4H T=0.2	1	20u"min Ni 70u"min Matte Sn
3	TERMINAL	C5210R-EH T=0.2	51	50u"min Ni 5u"min GOLD
ITEM	DESC.	MATERIAL	Q'T	REMARKS

Tolerance X.X ±0.30 X.XX ±0.25 X.XXX ±0.15 Angle ±2.0°	Model Name: LVDS 41Pin 0.5Pitch				Drawing: QNN
	Model No: GKLK-002A				Checked: Lijian
	UNIT: mm	SCALE: FULL	REVISION: A	SHEET: 1/1	Approved: WEI JI YANG
				Date: 2014.09.12	
				DWG NO.	
				FILE: C	

深圳市万联高科电子有限公司  
SHENZHEN WAN LIAN GAO KE ELECTRONICS., LTD