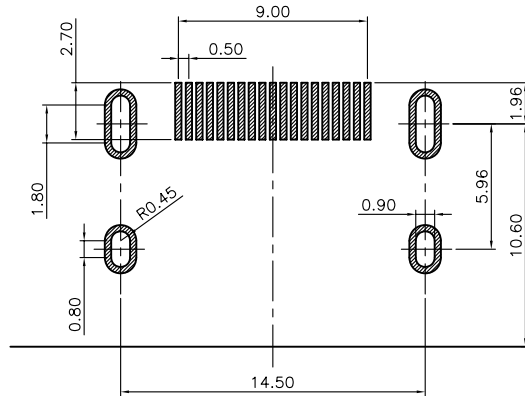
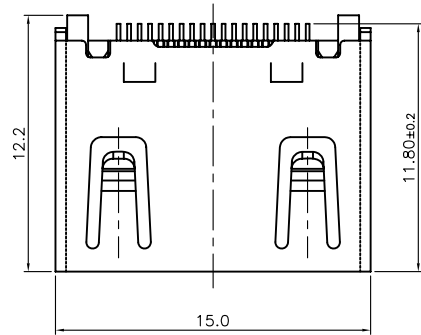
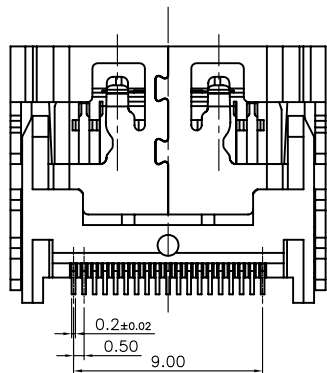
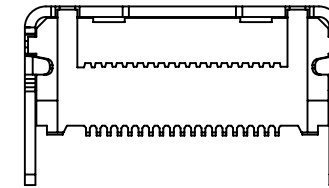
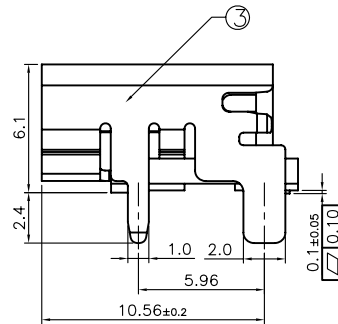
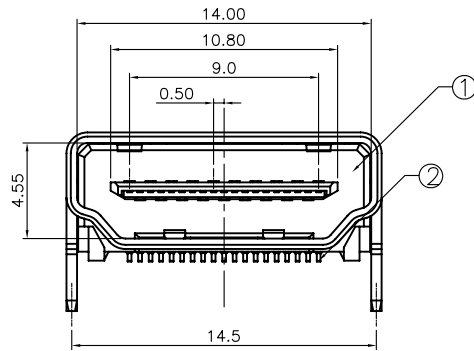


RoHS

Mark	ECN NO.	DESCRIPTION	DESIGN	Date:
A	—	NEW	—	—



PCB LAYOUT(TOP VIEW)



NOTE:

- Material:
Housing: Thermoplastics,UL94V-0; COLOR: BLACK
Contact: Copper Alloy
Shell: Copper Alloy
- FINISH:
Contact: Au Plated on Contact Arca,
Matte Tin Plated on Solder Tails,
Nickel Underplating Over All.
Shell: Nickel Underplating Over All.
- Specification:
3.1: Electrical:
Insulation Resistance(EIA-364-21):
100MΩ Min. at 500V/DC for 1Minute.
Contact Resistance(EIA-364-06): 30 mΩ Max.
Dielectric Withstanding Voltage(EIA-364-20):
No discharge, flashover or breakdown at 500V/AC 1Minute

3	SHELL	1	COPPER ALLOY	PLATED: Ni
2	CONTACT	19	COPPER ALLOY	PLATED: Ni/Au/Matte Tin
1	HOUSING	1	LCP UL94 V-0	BLACK
NO.	ITEM	Q'TY	MATERIAL	FINISH
Tolerance		Model Name: HDMI 19P SMT型 无耳有弹无侧弹 四脚不带卡点 前脚宽1.0 塑胶底座剪短 (24mm载带包装)		
X.X	±0.30	Model No: WLDM-002A		Drawing: JQL
X.XX	±0.25	UNIT: mm SCALE: FULL REVISION: A SHEET: 1/1		Checked: Lijian
X.XXX	±0.15			Approved: WEI JI YANG
Angle	±2.0°			Date: 2013.06.20
		WLCO ® 深圳市兴万联电子有限公司 SHENZHEN XINGWANLIAN TECHNOLOGY CO, LTD		DWG NO.
				FILE: C