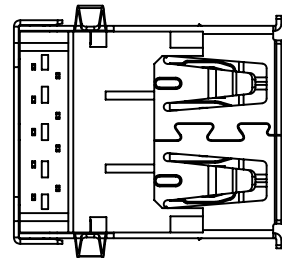
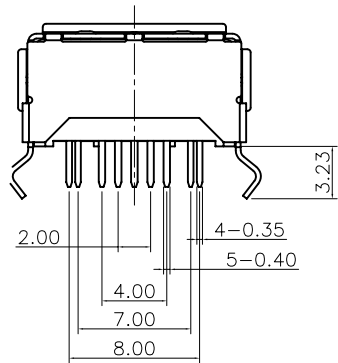
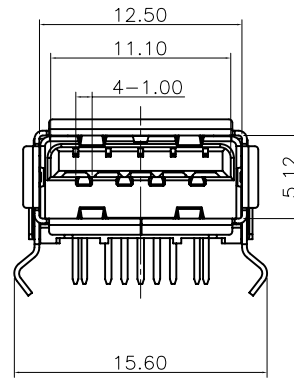
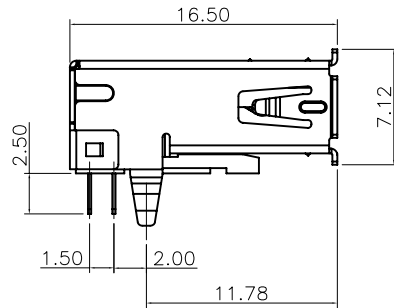
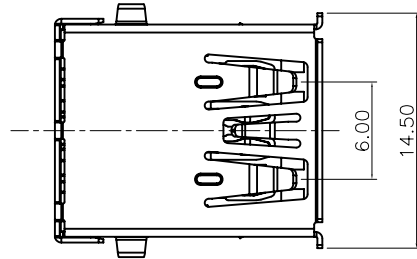
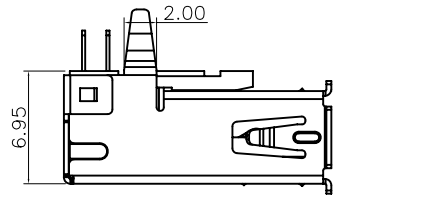


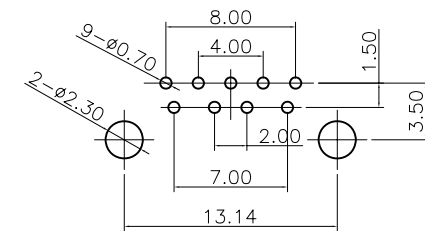
RoHS

Mark	ECN NO.	DESCRIPTION	DESIGN	Date:
A	—	NEW	—	—



NOTE:

- Material:
Housing: PBT,UL94V-0; Color: Blue
Contact: Copper Alloy
Shell: Copper Alloy
- FINISH:
Contact: Au Plated on Contact Area,
Matte Tin Plated on Solder Tails,
Nickel Underplating Over All.
Shell: Nickel Underplating Over All.
- Specification:
3.1: Electrical:
Contact Current Rating: 1.0A
Insulation Resistance: 100MΩ Min.
Contact Resistance: 30 mΩ Max.
Dielectric Withstanding Voltage: 500V/AC 1Minute
3.2 Mechanical:
Mating Force: 3.57Kgf Max.
Unmating Force: 1.0Kgf Min.



PCB LAYOUT

ITEM	PART NAME	Material	Q'TY	REMARK
1	Housing	PBT	1	Blue UL94V-0(C环保)
2	COVER	PBT	1	Blue UL94V-0(C环保)
3	Contact	C5191	9	Plating G.F/Tin
4	Shell	COPPER ALLOY	1	Plating Ni

Tolerance X.X ±0.30 X.XX ±0.25 X.XXX ±0.15 Angle ±2.0°	Model Name: USB 3.0 A/F 90° 铜壳弯脚 PBT蓝色环保 端子C5191半金镀G.F 无LOGO				Drawing: PYP	
	Model No: WLUS-058D				Checked: YSX	
	UNIT:	SCALE:	REVISION:	SHEET	Approved: Lijian	
	mm	FULL	A	1/1	Date: 2016.01.25	
WLCO® 深圳市兴万联电子有限公司 SHENZHEN XINGWANLIAN TECHNOLOGY CO.,LTD				DWG NO.		
				FILE: C		