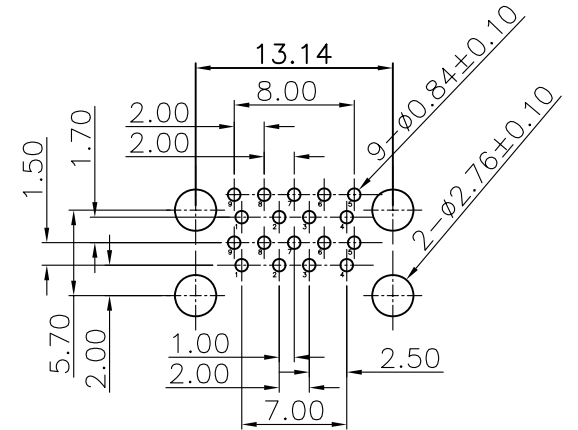
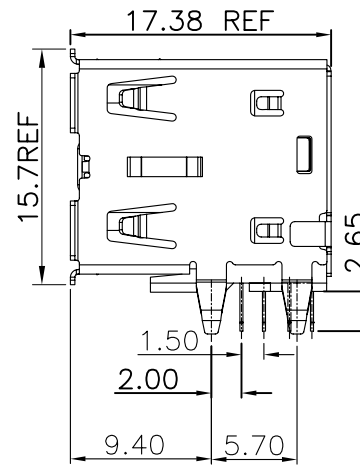
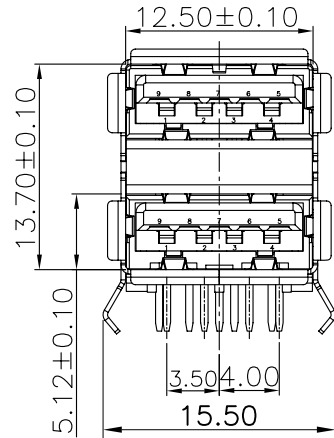
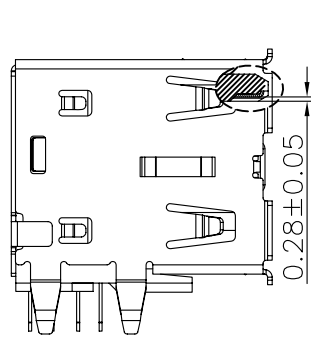
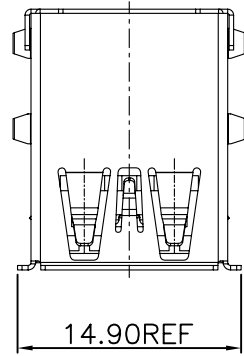


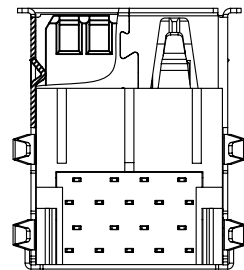
RoHS

Mark	ECN NO.	DESCRIPTION	DESIGN	Date:
A		New		

Housing: Thermoplastics, UL94V-0
 Contact: Copper Alloy, Gold Plated on Contact Area,
 Matte Tin Plated on Solder Tails,
 Under Nickel Plated.
 Shell: Stainless Steel, Nickel Plated
 Voltage Current Rating: 1.5 AMP. 30V AC
 Insulation Resistance: 100MΩ Min.
 Contact Resistance: 30 mΩ Max.
 Dielectric Withstanding Voltage: 100V AC
 Temperature Range: -55°C to +85°C



RECOMMENDED PCB LAYOUT(TOP VIEW)
 GENERAL TOLERANCES: ±0.05



Tolerance X.X ±0.30 X.XX ±0.25 X.XXX ±0.15 Angle ±2.0°	Model Name: 双层USB A-TYPE 3.0插板铁壳式品蓝 G.F				Drawing: Lijian
	Model No: WLUS-022A				Checked: Lijian
	UNIT:	SCALE:	REVISION:	SHEET	Approved: WEI JI YANG
	mm	FULL	A	1/1	Date: 2011.08.10
		WLCO™ 深圳市兴万联电子有限公司 SHENZHEN XINGWANLIAN TECHNOLOGY CO.,LTD			DWG NO.
					FILE: C