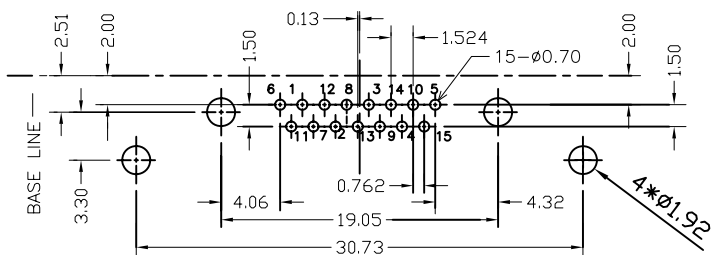
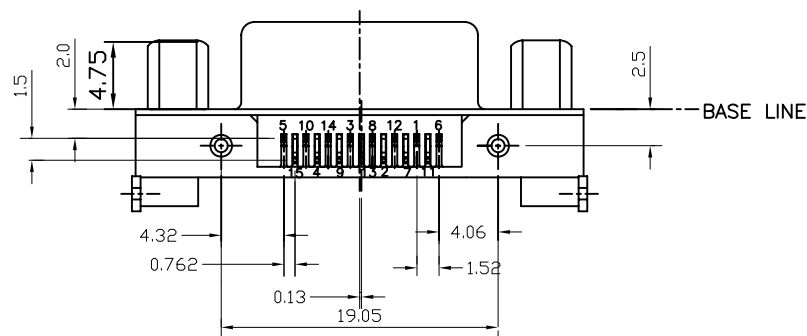
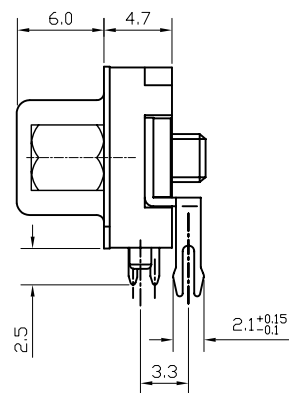
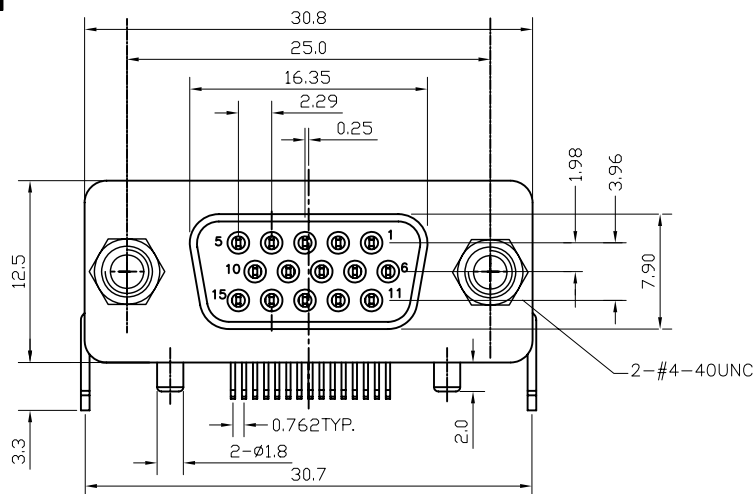


RoHS

Mark	ECN NO.	DESCRIPTION	DESIGN	Date:
A		New		

NOTES:

- *HOUSING:PBT+30%G/F UL94V-0 color: Blue
- COVER:PA66+30% G/F UL94V-0 COLOR: Blue
- *CONTACT:Phosphor Bronze
- *SHELL: SPCC
- *SCREW:SPCC
- *Rivet: COPPER ALLOY
- *ELECTRIC CHARACTERISTICS:
- CONTACT CURRENT RATING: 3.0A MAX.;
- CONTACT VOLTAGE RATING:100V DC;
- CONTACT RESISTANCE: 30mΩ MAX.;
- DIELECTRIC WITHSTANDING VOLTAGE:500V AC/60S;
- INSULATION RESISTANCE: 1000 MΩ MIN.AT DC 500V.
- *MECHANICAL CHARACTERISTICS:
- DURABILITY: 1000 CYCLES.
- INSERTION AND EXTRACTION FORCE:
- INSERTION FORCE: 90N MAX.
- EXTRACTION FORCE: 4.5N MIN.
- *ENVIRENMENT CHARACTERISTICS:
- OPERATING TEMPERATURE: -25℃~+70℃
- HUMIDTY:45-85% RH.



RECOMMEND P.C.B. LAYOUT
TOLERANCE ±0.05
TOP VIEW

Tolerance	Model Name:HDR 15母2.0超薄铆锁4.75 浅蓝胶(前八后七)			Drawing: Lijian
X.X ±0.30	Model No: WLCO-021A			Checked: Lijian
X.XX ±0.25	UNIT:	SCALE:	REVISION:	SHEET
X.XXX ±0.15	mm	FULL	A	1/1
Angle ±2.0°	DWG NO.			Date: 2011.10.20
	WLCO® 深圳市兴万联电子有限公司			FILE: C
	SHENZHEN XINGWANLIAN TECHNOLOGY CO.,LTD			