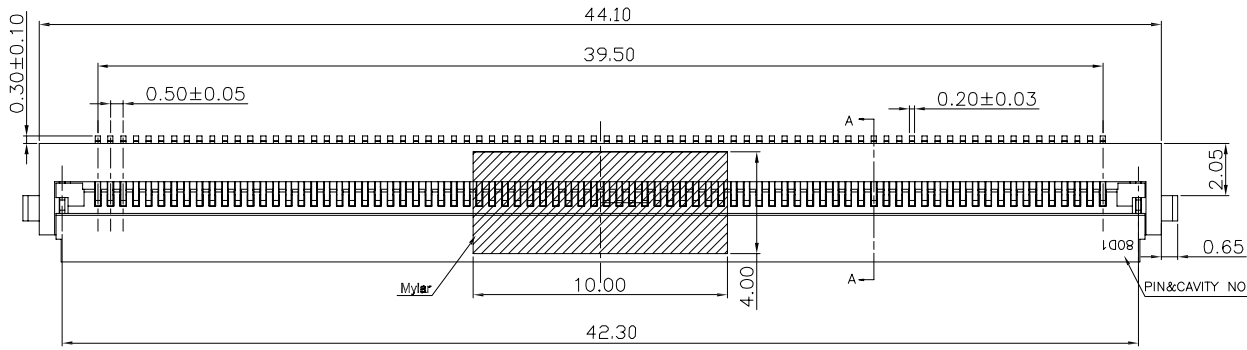
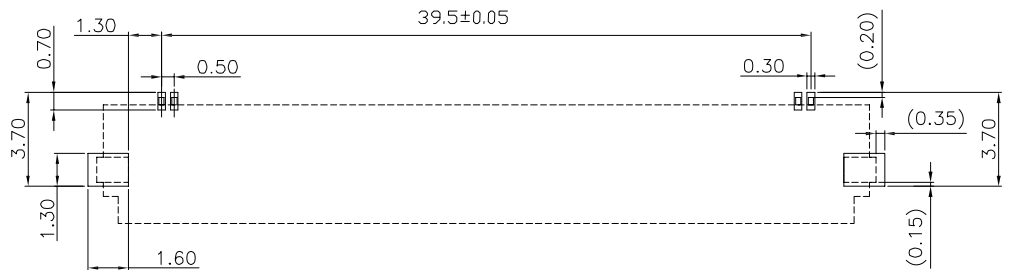
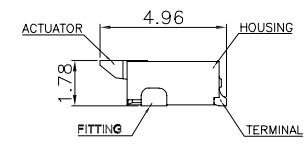
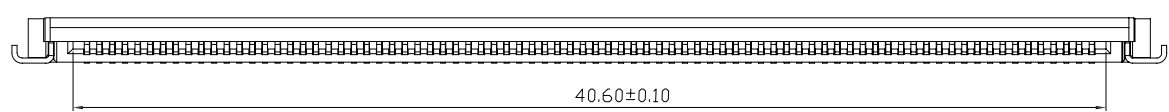


RoHS

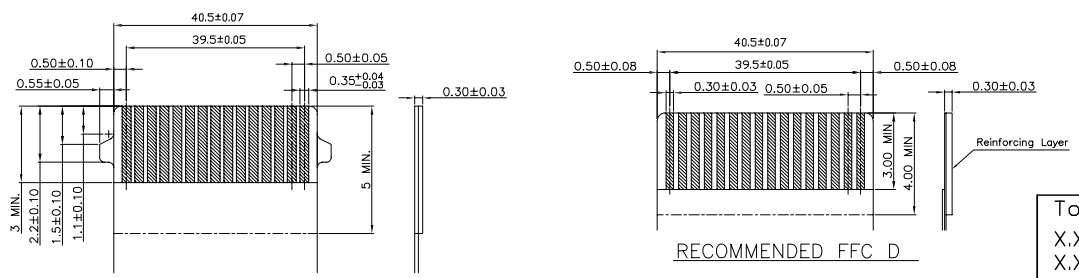
Mark	ECN NO.	DESCRIPTION	DESIGN	Date:
A	—	New	—	—



NOTES:  
 1.MATERIAL:  
 HOUSING:THERMOPLASTIC(UL94V-0)  
 ACTUATOR:THERMOPLASTIC(UL94V-0)  
 TERMINAL:PHOSPHOR BRONZE GOLD PLATED  
 FITTING NAIL:BRASS MATTE TIN PLATED



P.C.B LAYOUT REF



RECOMMENDED FPC DIM.

RECOMMENDED FFC D.

Tolerance	Model Name: FPC CDNN.80P 0.5Pitch H1.8 FLIP TYPE 成品图 (贴麦拉)			Drawing: PYP
X.X ±0.30	Model No: GKFP-012A			Checked: —
X.XX ±0.25	UNIT: mm	SCALE: Full	REVISION: A	Approved: Lijian
X.XXX ±0.15	SHEET 1/1			Date: 2015.09.22
Angle ±2.0°	DWG NO.			FILE: C
		深圳市永利同创精密电子有限公司 SHENZHEN YLTC TECHNOLOGY CO.,LTD		