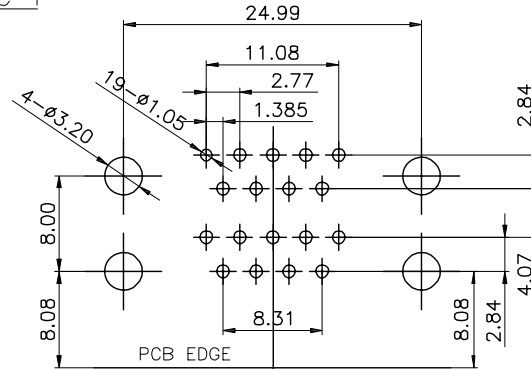
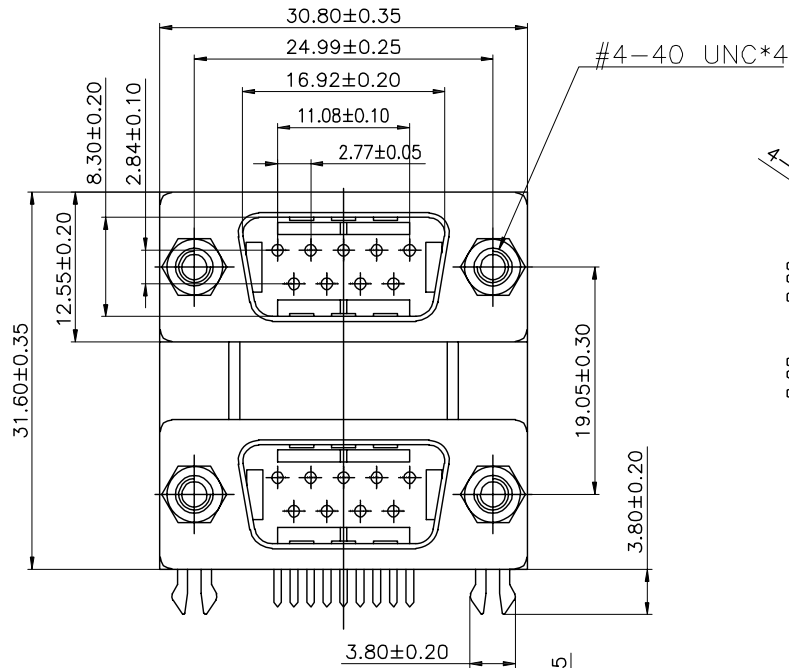


RoHS

Mark	ECN NO.	DESCRIPTION	DESIGN	Date:



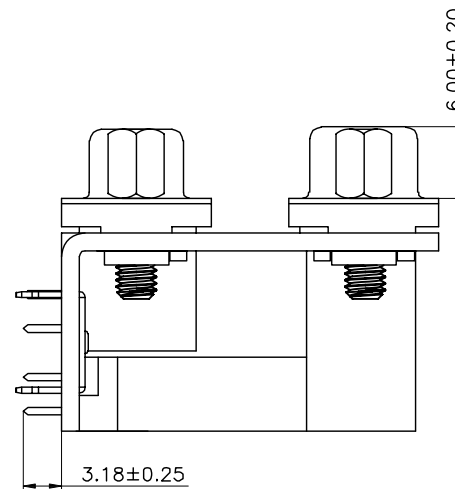
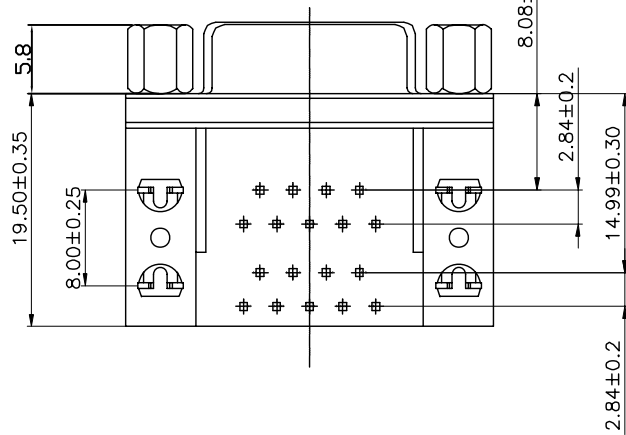
P.C.B. LAYOUT

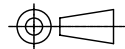
一、 MATERIALS:

1. Housing: PBT/PA66
2. Contacts: Brass
3. Shell: SPCC
4. Rivet: Copper Alloy
5. Board Lock: Brass
6. Screw: SPCC
7. Bracket: SPCC

二、 FINISH:

1. Contacts: Gold Plated on Contact Area
Sn Plated on Solderails
Nickel Under Plated Over All
2. Shell: Nickel Plated
3. Rivet: Nickel Plated
4. Board Lock: Sn Plated
5. Screw: Nickel Plated
6. Bracket: Nickel Plated



Tolerance X.X ±0.30 X.XX ±0.25 X.XXX ±0.15 Angle ±2.0°	Model Name: 双9公铆锁 黑胶 间距19.05MM 锁5.8螺丝			Drawing: ZLing
	Model No: WLDR-076A			Checked: Lijian
	UNIT:	SCALE:	REVISION:	SHEET
	mm	FULL	A	1/1
 WLCO ® 深圳市兴万联电子有限公司 SHENZHEN XINGWANLIAN TECHNOLOGY CO.,LTD				DWG NO.
				FILE: C