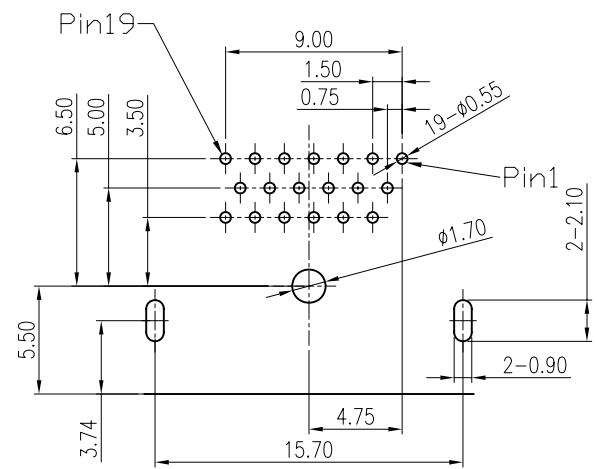
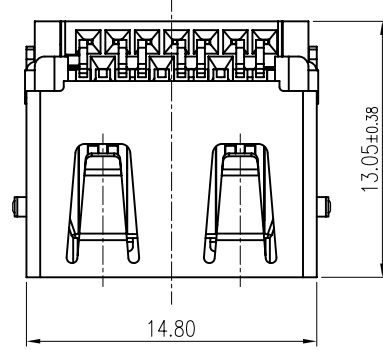
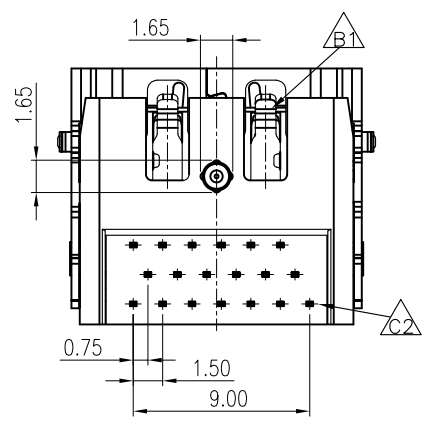
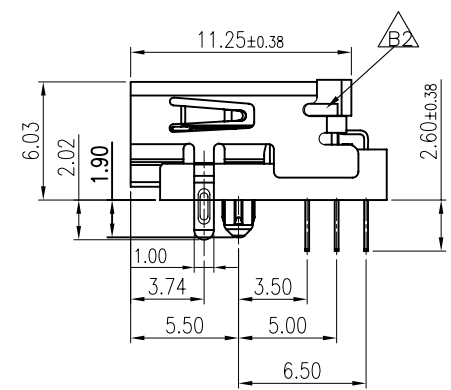
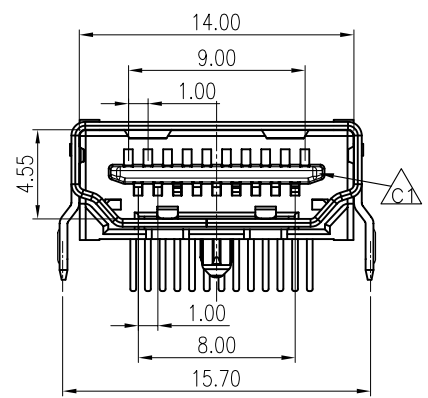


RoHS

Mark	ECN NO.	DESCRIPTION	DESIGN	Date:
A	—	New	Lijian	—
B	ECR2012002	改善制程不良, 部分外形相应变更	Lijian	2012.05.14
C	ECR1305002	制程变更	Lijian	2013.05.31

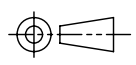


RECOMMENDED PCB LAYOUT(TOP VIEW)



NOTE:

- Material:  
Housing: LCP Black;Thermoplastics,UL94V-0  
Contact: Copper Alloy  
Shell: Copper Alloy
- FINISH:  
Contact: Gold Flash Plated on Contact Arca,  
Tin Plated on Solder Tails,  
Nickel Underplating Over All.  
Shell: Nickel Underplating Over All.
- Specification:  
3.1: Electrical:  
Insulation Resistance(EIA-364-21):  
100MΩ, Min. at 500V/DC for 1Minute.  
Contact Resistance(EIA-364-06): 30 mΩ, Max.  
Dielectric Withstanding Voltage(EIA-364-20):  
No discharge, flashover or breakdown at 500V/AC 1Minute

Tolerance X.X ±0.30 X.XX ±0.25 X.XXX ±0.15 Angle ±2.0°	Model Name: HDMI 三排DIP 无前脚后脚15.7单柱			Drawing: JQL
	Model No: WLDM-025A			Checked: Lijian
	UNIT:	SCALE:	REVISION:	SHEET
	mm	FULL	c	1/1
Date: 2013.05.31				Approved: WEI JI YANG
 <b>WLCO</b> ® 深圳市兴万联电子有限公司 SHENZHEN XINGWANLIAN TECHNOLOGY CO.,LTD				DWG NO.
				FILE: C