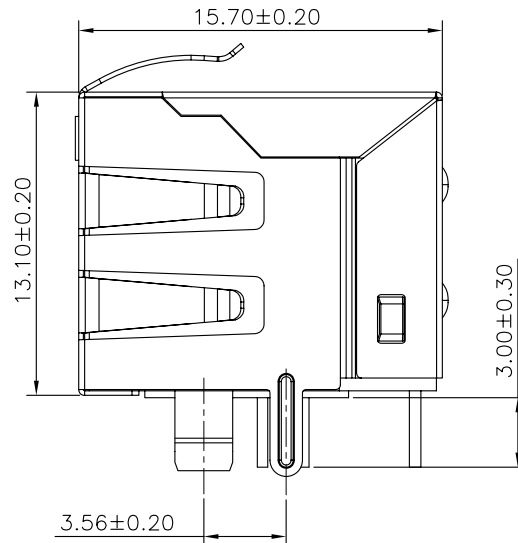
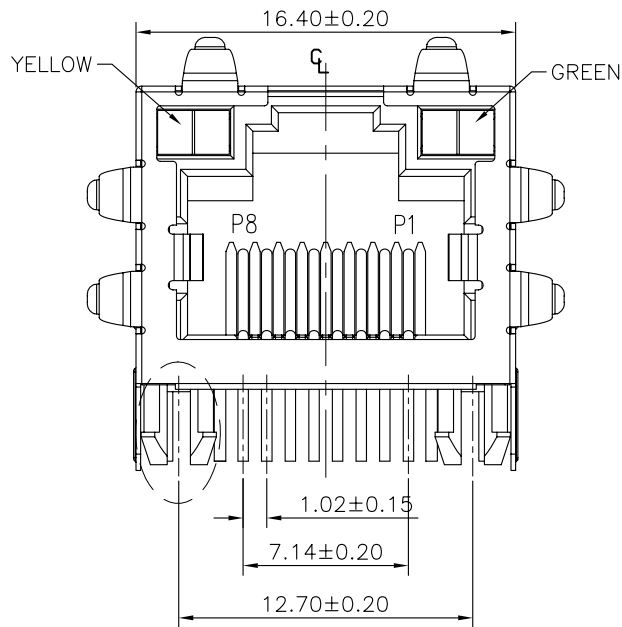


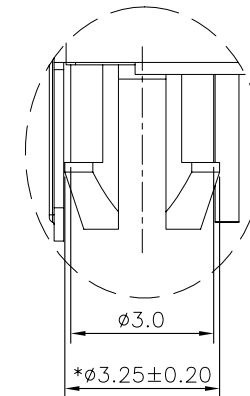
RoHS

|      |         |             |        |       |
|------|---------|-------------|--------|-------|
| Mark | ECN NO. | DESCRIPTION | DESIGN | Date: |
| A    |         | New         |        |       |

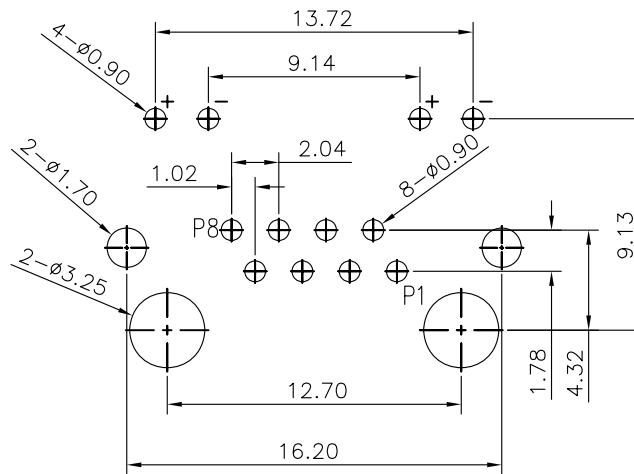
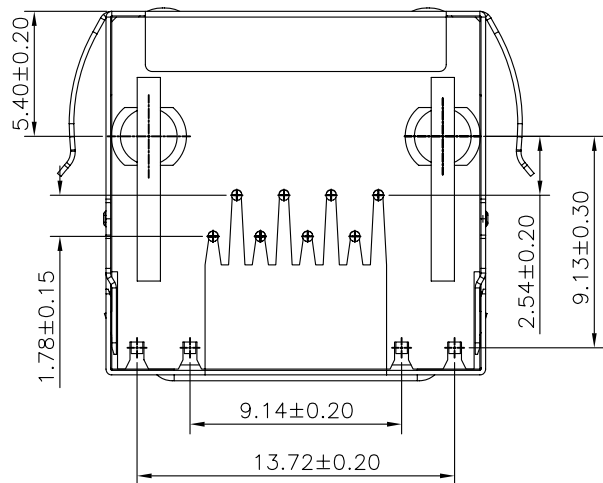
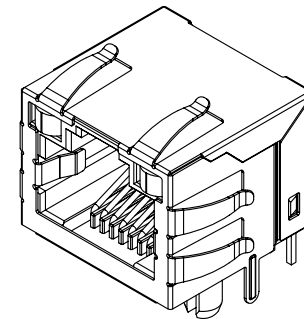


NOTE:

1. MATERIAL:
  - 1.1 HOUSING: (HIGH TEMP.)THERMOPLASTIC UL94V-0 BLACK
  - 1.2 CONTACT: 0.45mm DIA COPPER ALLOY
  - 1.3 SHELL: COPPER ALLOY
2. FINISH:
  - 2.1 CONTACT: GOLD PLATED OVER ALL
  - 2.2 SHELL: NICKEL PLATING OVER ALL
3. LED1: YELLOW
4. LED2: GREEN



DETAIL A  
SCALE 2:1



RECOMMENDED P.C.B. LAYOUT  
(TOP VIEW)

|   |  |             |             |            |                  |
|---|--|-------------|-------------|------------|------------------|
| Tolerance<br>X.X $\pm 0.30$<br>X.XX $\pm 0.25$<br>X.XXX $\pm 0.15$<br>Angle $\pm 2.0^\circ$ | Model Name: RJ45 90度 DIP带灯带弹 (左黄右绿)<br>PBT环保防火                                   |             |             |            | Drawing: PYP     |
|   | Model No: WLRJ-099A  |             |             |            | Checked: Lijian  |
|   | UNIT: mm   | SCALE: Full | REVISION: A | SHEET: 1/1 | Approved: Lijian |
|   | Date: 2015.04.17   |             |             |            |                  |
|        | <b>WLCO</b> <sup>®</sup> 深圳市兴万联电子有限公司<br>SHENZHEN XINGWANLIAN TECHNOLOGY CO.,LTD |             |             |            | DWG NO.          |
|   |  |             |             |            | FILE: C          |