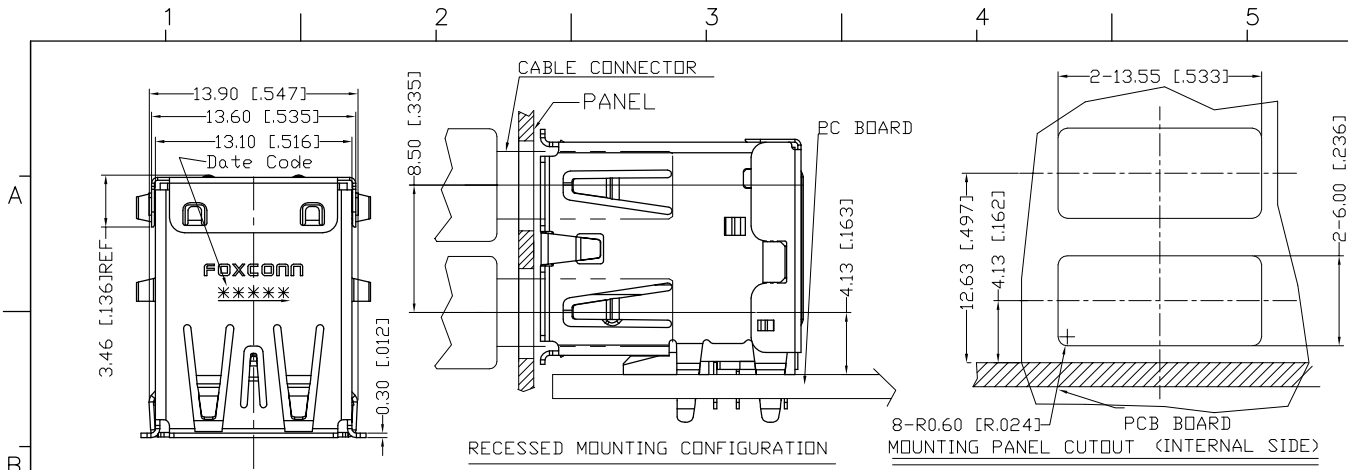


REV.	ECN. NO.	APPD.
X1	8/3'10	ADWARD ZHENG



PRODUCT NO.: UB 1 1 1 2 1 - 8FS6 - 4 F

Series Prefix: UB: USB 2.0 A TYPE

Termination Type: 1: Right Angle Type

Connector Type: 1: Female

No. of Contact Position: 1: 4 Pos.

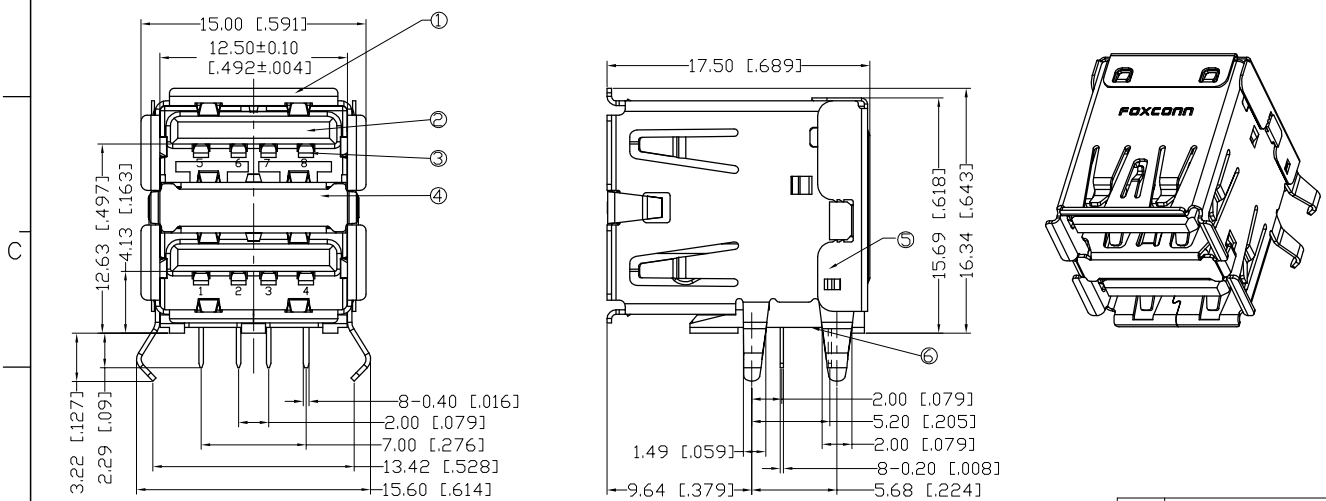
Profile Height: 2: 4.13 mm

Pb Free Code: F: Pb Free

Package Code: 4: Soft Tray Package

Extension Code

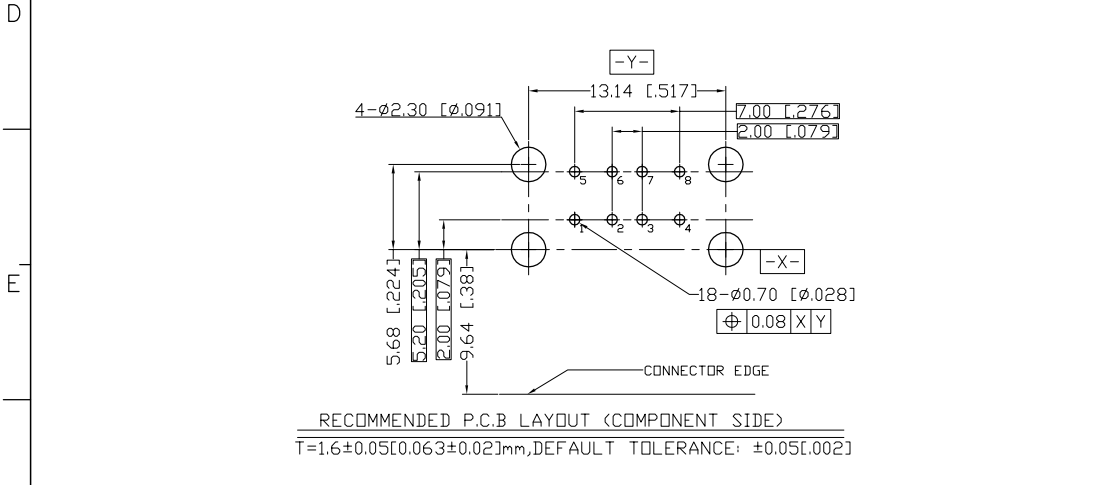
Contact Area Plating: 1: Gold Flash



- NOTES:
1. USB SPECIFICATION MEETS USB2.0 STANDARD SPECIFICATION.
  2. ELECTRICAL CHARACTERISTIC:
    - 2-1: USB CONTACT CURRENT RATING: 1.5 A.
    - 2-2: USB CONTACT RESISTANCE: 30 MILLIOHMS MAX.
    - 2-3: USB DIELECTRIC WITHSTANDING VOLTAGE: 500VAC MIN.
    - 2-4: USB INSULATION RESISTANCE: 1000 MEGOHMS MIN.
  3. MECHANICAL CHARACTERISTIC:
    - 3-1: USB CONNECTOR MATING FORCE: 3.5Kgf MAX.
    - 3-2: USB CONNECTOR UNMATING FORCE: 1.0-3.5Kgf.
    - 3-3: USB DURABILITY: 1500 CYCLES
  4. OPERATING TEMPERATURE RANGE: -55~+85°C; HUMIDITY:85% RH MAX.
  5. RECOMMENDED PROCESS: WAVE SOLDER, PEAK TEMP. 265°C, 5 SEC.
  6. THE CONNECTOR IS ROHS COMPLIANT.

PIN ASSIGNMENT:

Pin No.	1	2	3	4
Pin No.	5	6	7	8
Signal Name	VBUS	D-	D+	GND
Remark	USB2.0 Contact Pin			



6	SPACER	1	THERMOPLASTIC UL 94V-0	MOLDED COLOR:BLACK
5	REAR SHELL	1	STAINLESS STEEL	CLEAN
4	FINGER	1	STAINLESS STEEL	CLEAN
3	USB2 CONTACT	8	COPPER ALLOY	GOLD FLASH AT CONTACT AREA, LEAD FREE TIN ALLOY AT TERMINATION, NICKER UNDERPLATING OVER ALL
2	HOUSING	1	THERMOPLASTIC UL 94V-0	MOLDED COLOR:BLACK
1	FRONT SHELL	1	STAINLESS STEEL	NI PLATED OVER ALL, KINK WITH LEAD FREE TIN ALLOY
NO.	DESCRIPTION	QTY.	MATERIAL	TREATMENT

X.±	X°.±	UNITS	mm[inch]	NAME(INTENDED USE)	<b>FOXCONN</b> HON HAI PRECISION IND. CO.,LTD. TAIPEI, TAIWAN, R.O.C.
.X± 0.38[.010]	.X°.±	MAT'L	N/A	CUSTOMER	
.XX± 0.25[.010]	.XX°.±	FINISH	N/A	PART NO.(INTENDED USE)	TITLE:
.XXX±	.XXX°.±			UB11121-8FS6-4F	DOUBLE SHORT USB 2.0 A TYPE
THESE DRAWINGS AND SPECIFICATIONS ARE THE PROPERTY OF HON HAI PRECISION IND. CO., LTD. AND SHALL NOT BE REPRODUCED, COPIED OR USED IN ANY MANNER WITHOUT THE PRIOR WRITTEN CONSENT OF HON HAI PRECISION IND. CO., LTD.				APPD:	DWG NO.:
				Andy Yao 8/3'10	327-0000-*
				CHKD:	SCALE
				Andy Yao 8/3'10	SHEET
				DR:	REV.
				Rainy Shen 8/3'10	N/A
					1/1
					X1