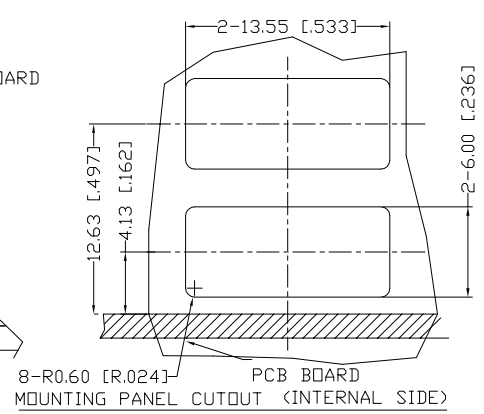
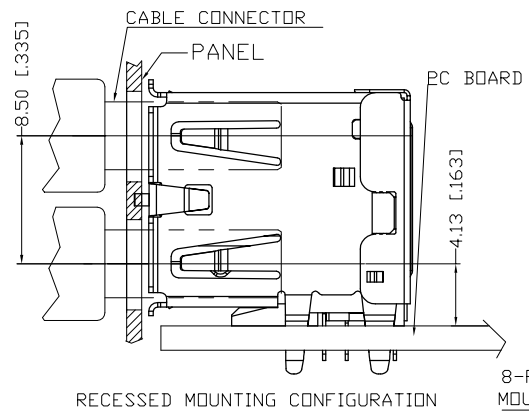
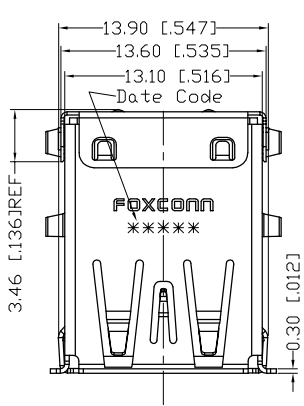


REV.	ECN. NO.	APPD.
X1	4/24'10	ADWARD ZHENG



PRODUCT NO.: UEA 1 1 2 C - UHS6 - 4 F

Series Prefix UEA: USB 3.0 A TYPE

Termination Type 1: Right Angle Type

Connector Type 1: Female

No. of Contact Position 1: 9 Pos.

Profile Height 2: 4.13 mm

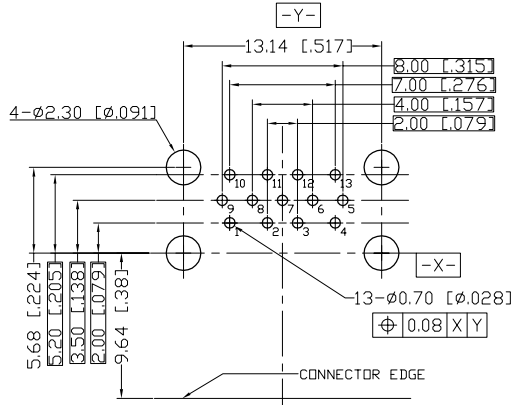
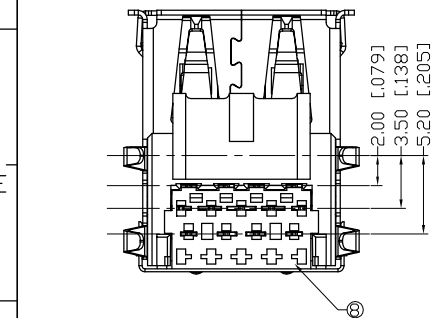
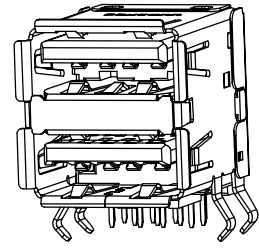
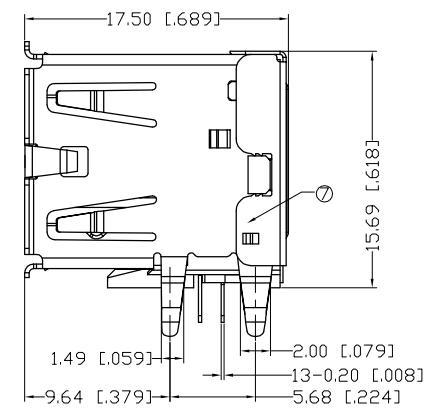
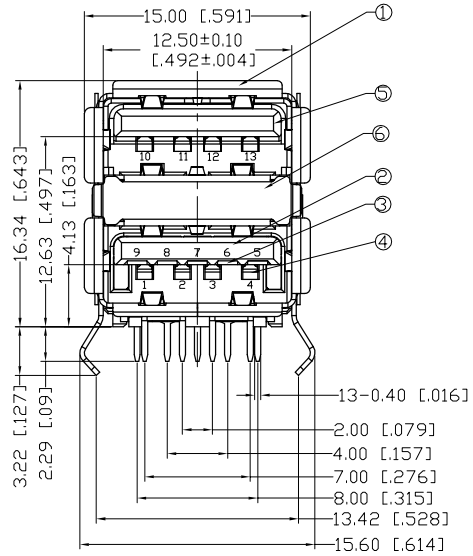
Pb Free Code F: Pb Free

Package Code 4: Soft Tray Package

Extension Code

Contact Area Plating C: 30u" Pd/Ni + Gold Flash

- NOTES :
- ELECTRICAL AND MECHANICAL CHARACTERISTICS
USB2.0 MEET USB2.0 STANDARD.
USB3.0 MEET USB3.0 STANDARD.
 - DIMENSIONS ARE IN MILLIMETERS, BRACKETED DIMENSIONS ARE INCHES EQUIVALENTS.
 - USB2.0 MEET USB2.0 STANDARD SPECIFICATION.
USB3.0 MEET USB3.0 STANDARD SPECIFICATION.
 - RECOMMENED PROCESS: WAVE SOLDER 260°C, 3~5SECONDS.
 - THE CONNECTOR IS ROHS COMPLIANT.
 - RECOMMENDED PCB THICKNESS: 1.60±0.05[0.063±0.002]mm



RECOMMENDED P.C.B LAYOUT (COMPONENT SIDE)
T=1.6±0.05[0.063±0.02]mm, DEFAULT TOLERANCE: ±0.05[0.002]

PIN ASSIGNMENT:

Pin No.	10	11	12	13					
Pin No.	1	2	3	4	5	6	7	8	9
Signal Name	VBUS	D-	D+	GND	STDA_SSRX-	STDA_SSRX+	GND_DRAIN	STDA_SSTX-	STDA_SSTX+
Remark	USB2 Contact Pin				USB3 Contact Pin				
8	INNER INSULATOR	1	THERMOPLASTIC UL 94V-0	MOLDED COLOR:BLACK					
7	REAR SHELL	1	STAINLESS STEEL	CLEAN					
6	FINGER	1	STAINLESS STEEL	CLEAN					
5	HOUSING	1	THERMOPLASTIC UL 94V-0	MOLDED COLOR:BLACK					
4	USB2 CONTACT	8	COPPER ALLOY	GOLD FLASH OVER 30u" Pd/Ni AT CONTACT AREA, LEAD FREE TIN ALLOY AT TERMINATION, NICKER UNDERPLATING OVER ALL					
3	USB3 CONTACT	5	COPPER ALLOY	UNDERPLATING OVER ALL					
2	INNER INSULATOR	1	THERMOPLASTIC UL 94V-0	MOLDED COLOR:BLUE(PANTONE:300C)					
1	FRONT SHELL	1	STAINLESS STEEL	NI PLATED OVER ALL, KINK WITH LEAD FREE TIN ALLOY					
NO.	DESCRIPTION	QTY.	MATERIAL	TREATMENT					

X.±	X°.±	UNITS	mm[inch]	NAME(INTENDED USE)	FOXCONN HON HAI PRECISION IND. CO.,LTD. TAIPEI, TAIWAN, R.O.C.
.X± 0.38[010]	.X°.±	MAT'L	N/A	CUSTOMER	
.XX± 0.25[010]	.XX°.±			PART NO.(INTENDED USE)	TITLE:
.XXX±	.XXX°.±	FINISH	N/A	UEA1112C-UHS6-4F	USB 3.0& USB2.0 A TYPE
THESE DRAWINGS AND SPECIFICATIONS ARE THE PROPERTY OF HON HAI PRECISION IND. CO., LTD. AND SHALL NOT BE REPRODUCED, COPIED OR USED IN ANY MANNER WITHOUT THE PRIOR WRITTEN CONSENT OF HON HAI PRECISION IND. CO., LTD.				APPD: Andy Yao 4/24'10	DWG NO.:
				CHKD: Hill He 4/24'10	327-0000-****
				DR: Rainy shen 4/24'10	SCALE SHEET REV.
					N/A 1/1 X1