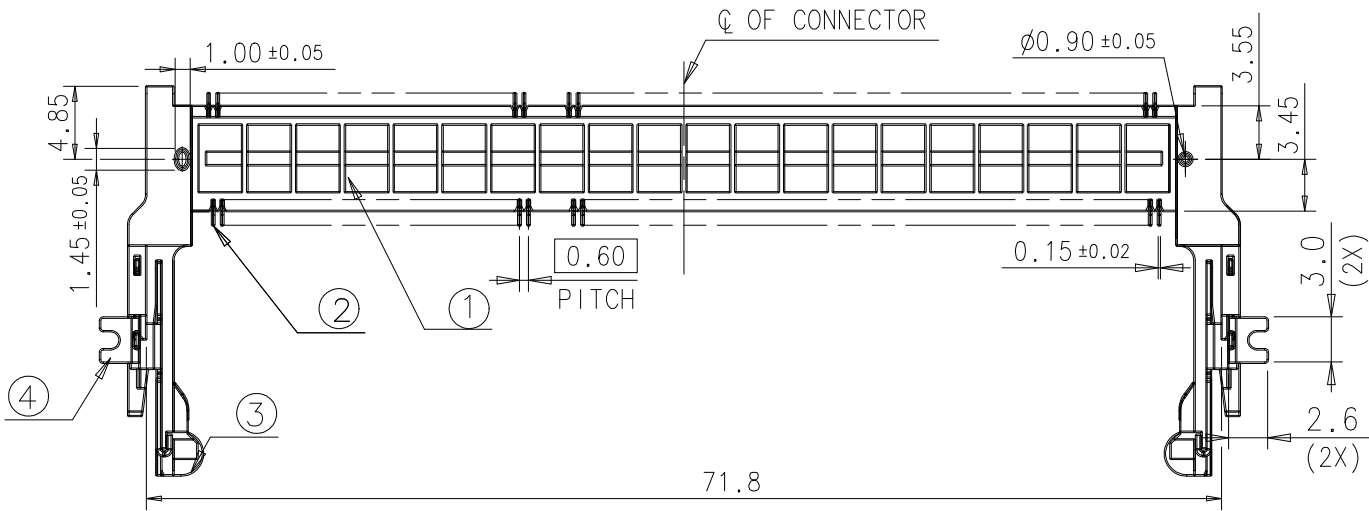


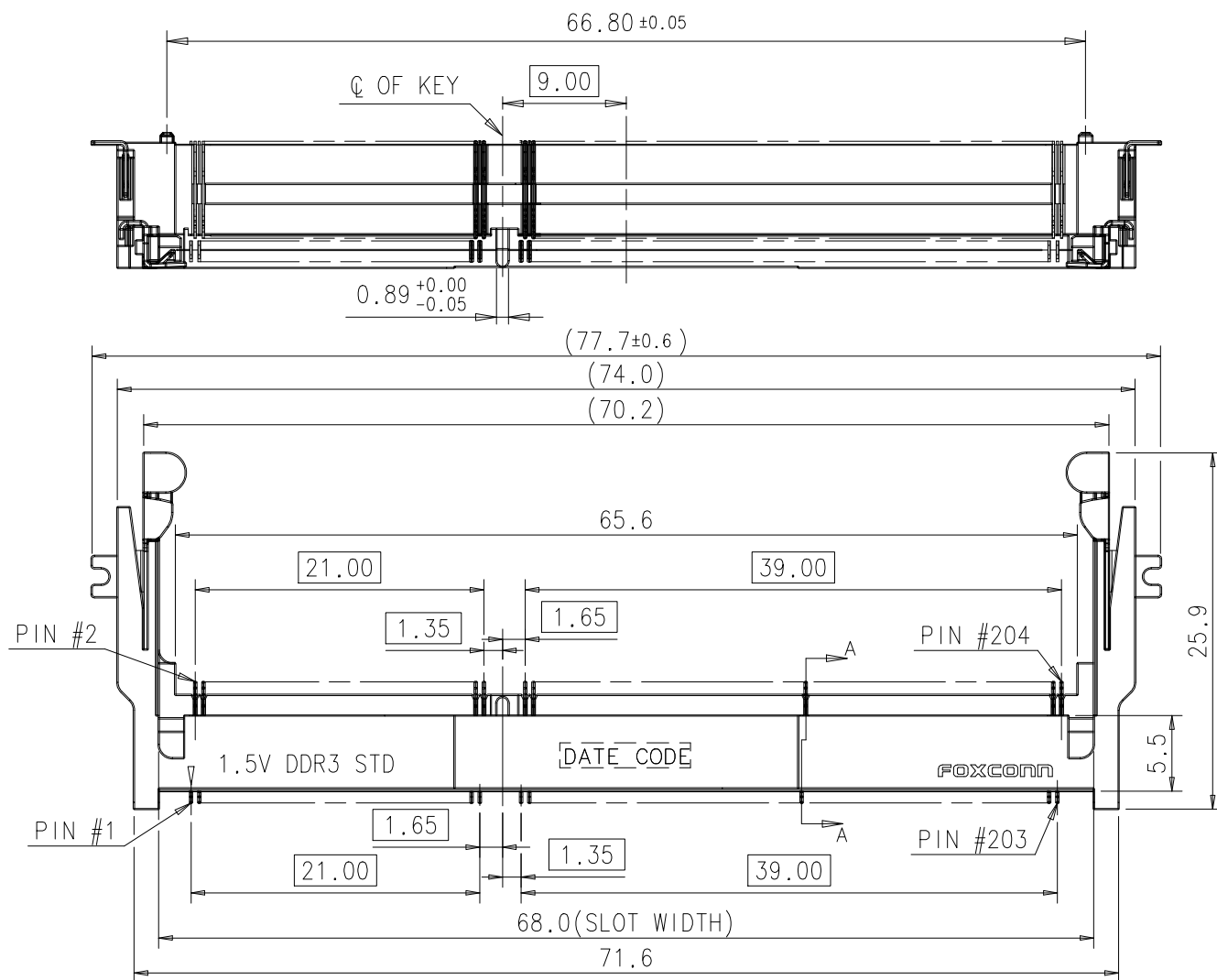
IDEAS GENERATED DRAWING, DO NOT CHANGE BY HAND.

| REV. | ECN. NO.      | APPD.      |
|------|---------------|------------|
| A    | BC-10-0052206 | Herry Yang |
| B    | BC-10-0075105 | Herry Yang |
| C    | BC-11-0028404 | Herry Yang |
| D    | BC-11-0119660 | Herry Yang |



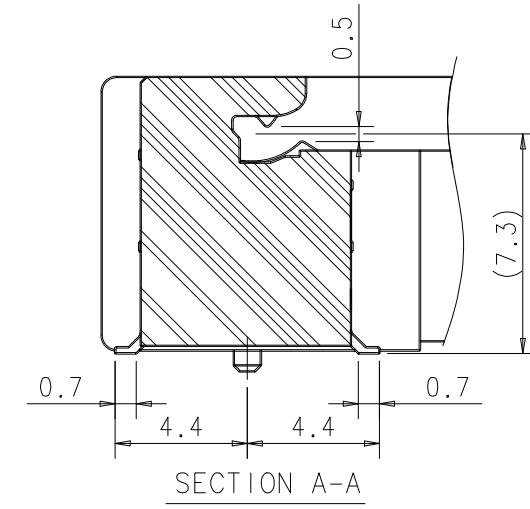
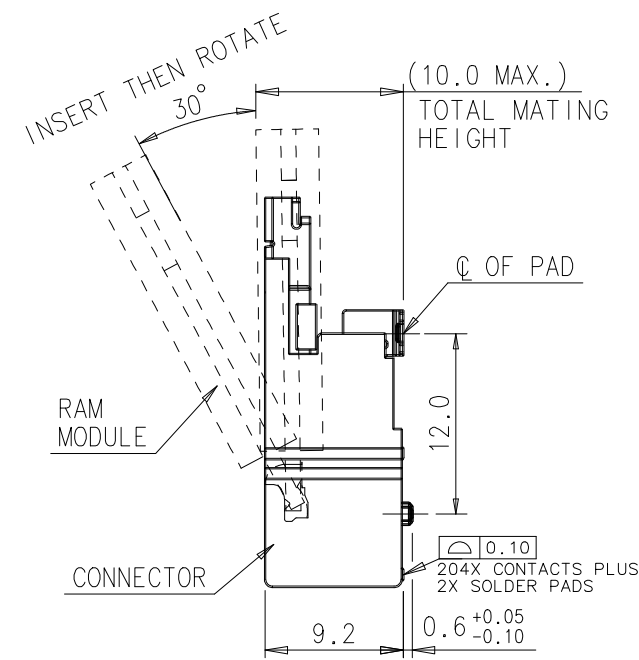
NOTES:

- ELECTRICAL CHARACTERISTICS:
  - CONTACT CURRENT RATING: 0.5 AMPERE MAX. PER PIN. (PER PIN) DOESN'T EXCEED 30°C ABOVE AMBIENT AT 0.5 AMPERE MAX. PER PIN.
  - VOLTAGE RATING: 25V AC.
  - INSULATION RESISTANCE: 100 MEGAOHMS MIN. AT 500V DC.
  - DIELECTRIC WITHSTANDING VOLTAGE: 250V AC RMS AT 60Hz, FOR 1 MINUTE.
  - CONTACT RESISTANCE : 50 MILLIOHMS MAX. PER PIN INITIAL. 60 MILLIOHMS MAX. PER PIN AFTER FULL ENVIRONMENTAL TESTING.
- MECHANICAL CHARACTERISTICS: DURABILITY: 25 MATING CYCLES.
- OPERATION TEMPERATURE: -55°C TO +85°C.
- PLEASE CONTACT FOXCONN SALES REPRESENTATIVE TO VERIFY PRODUCT DETAIL & AVAILABILITY.



PART NO. DESCRIPTION: A S O A6 2 \* - H A S N - \* H

- MEMORY MODULE SOCKET
- HORIZONTAL TYPE
- SINGLE ROW
- NO. OF POS. A6 = 204 POS.
- SMT
- CONTACT AREA PLATING
- 6=10u" GOLD PLATING
- 1=GOLD FLASH
- H=HALOGEN/LEAD FREE
- 4=SOFT TRAY
- 7=TAPE REEL
- N=GENERAL TYPE
- S=STANDARD
- A=9.2mm HEIGHT
- DDR CONNECTOR

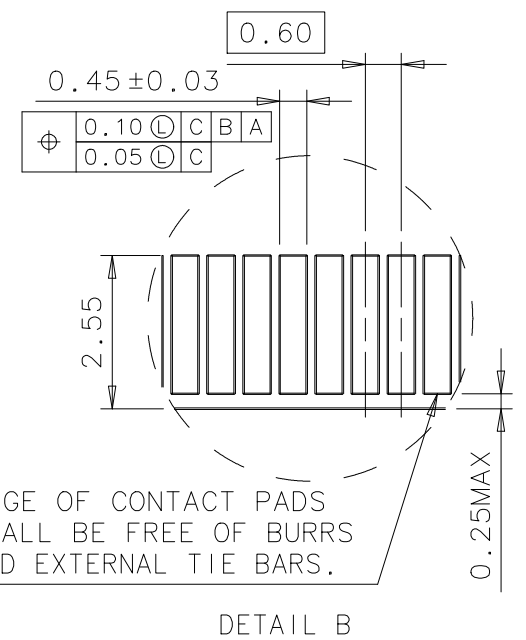
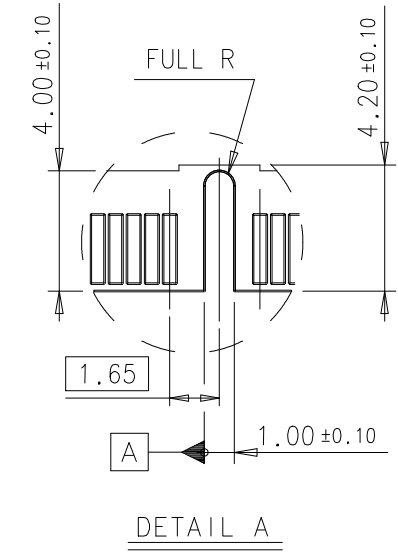
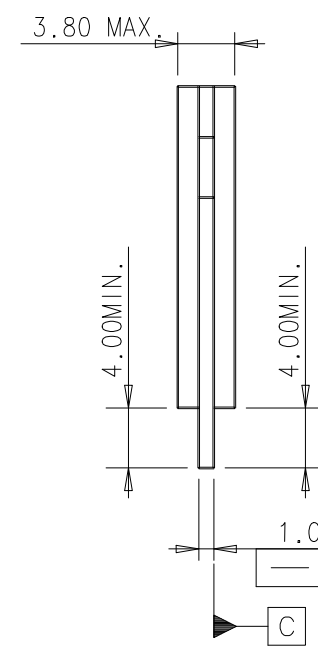
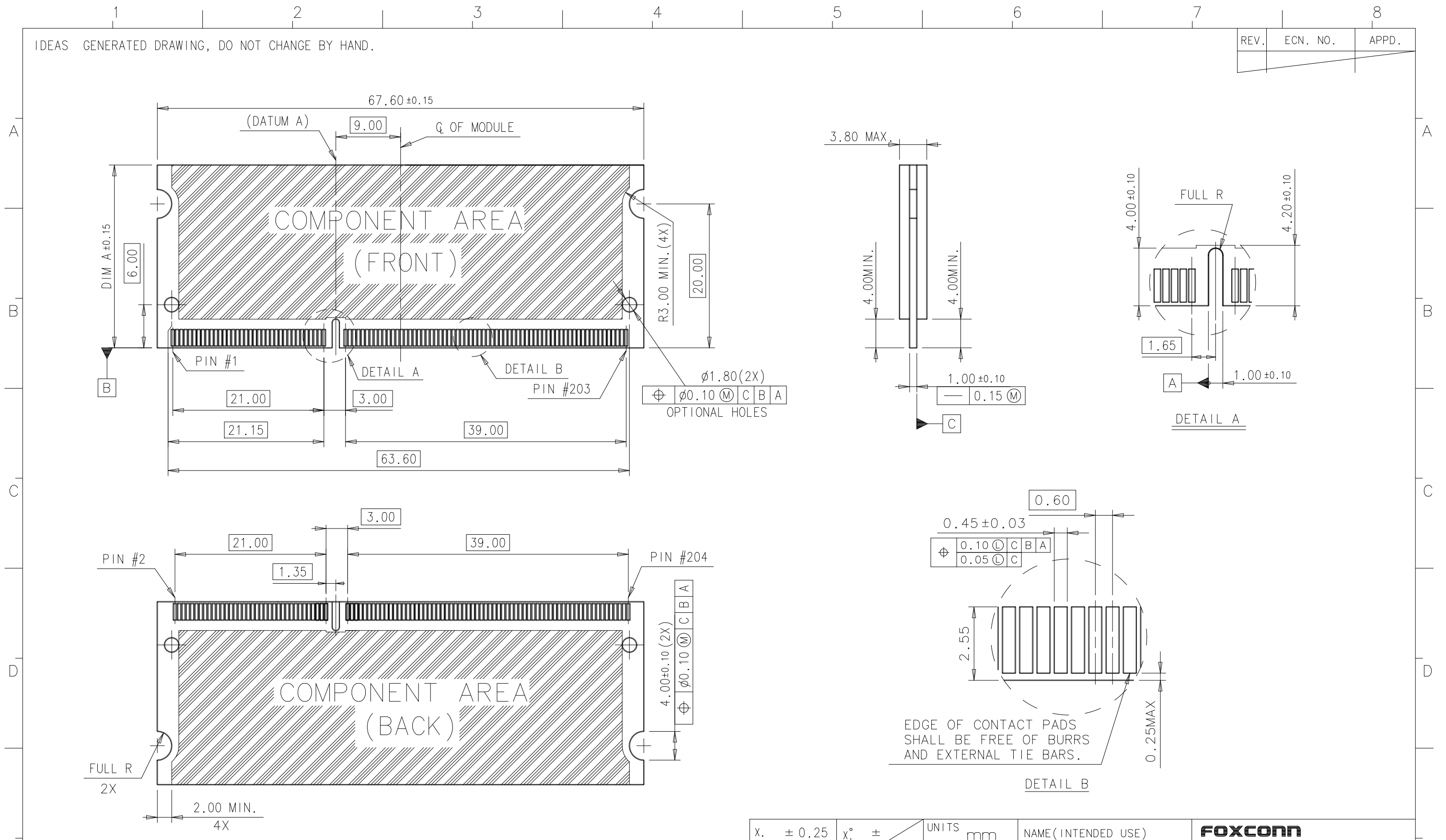


| ITEM | DESCRIPTION  | Q'TY | MATERIAL      | TREATMENT  |
|------|--------------|------|---------------|--|
| ④    | METAL PAD    | 2    | COPPER ALLOY  | 50u" NICKEL UNDER PLATING OVER ALL<br>2u" Pd PLATING OVER SOLDER AREA                              |
| ③    | METAL SPRING | 2    | COPPER ALLOY  | 50u" NICKEL PLATING OVER ALL   |
| ②    | CONTACT      | 204  | COPPER ALLOY  | 50u" NICKEL UNDER PLATING<br>GOLD FLASH AT TAIL<br>10u" GOLD PLATING OR GOLD FLASH AT CONTACT AREA |
| ①    | HOUSING      | 1    | THERMOPLASTIC | UL94V-0, HALOGEN-FREE, IVORY COLOR   |

|  |         |          |                           |  |
|--|---------|----------|---------------------------|--|
| X. ± 0.30  | X° ±    | UNITS mm | NAME (INTENDED USE)       | <b>FOXCONN</b><br>HON HAI PRECISION IND. CO., LTD.<br>TAIPEI, TAIWAN, R.O.C. |
| .X ± 0.25  | .X° ±   |          | DDR III SO DIMM CONNECTOR |  |
| .XX ± 0.15   | .XX° ±  | MAT'L    | PART NO. (INTENDED USE)   | TITLE:   |
| .XXX ±   | .XXX° ± |          | AS0A62*-HASN-*H           | CUSTOMER DRAWING   |
| THESE DRAWINGS AND SPECIFICATIONS ARE THE PROPERTY OF HON HAI PRECISION IND. CO., LTD. AND SHALL NOT BE REPRODUCED, COPIED OR USED IN ANY MANNER WITHOUT THE PRIOR WRITTEN CONSENT OF HON HAI PRECISION IND. CO., LTD. |         |          | APPD: Herry Yang          | DWG NO.:   |
|  |         |          | CHKD: ZH Wang             | 317-0000-1906  |
| Q'TY   |         |          | DR: Joe Yang 10/27'11     | SCALE SHEET REV.   |
|  |         |          |                           | N/A 1/5 D  |

IDEAS GENERATED DRAWING, DO NOT CHANGE BY HAND.

|      |          |       |
|------|----------|-------|
| REV. | ECN. NO. | APPD. |
|      |          |       |



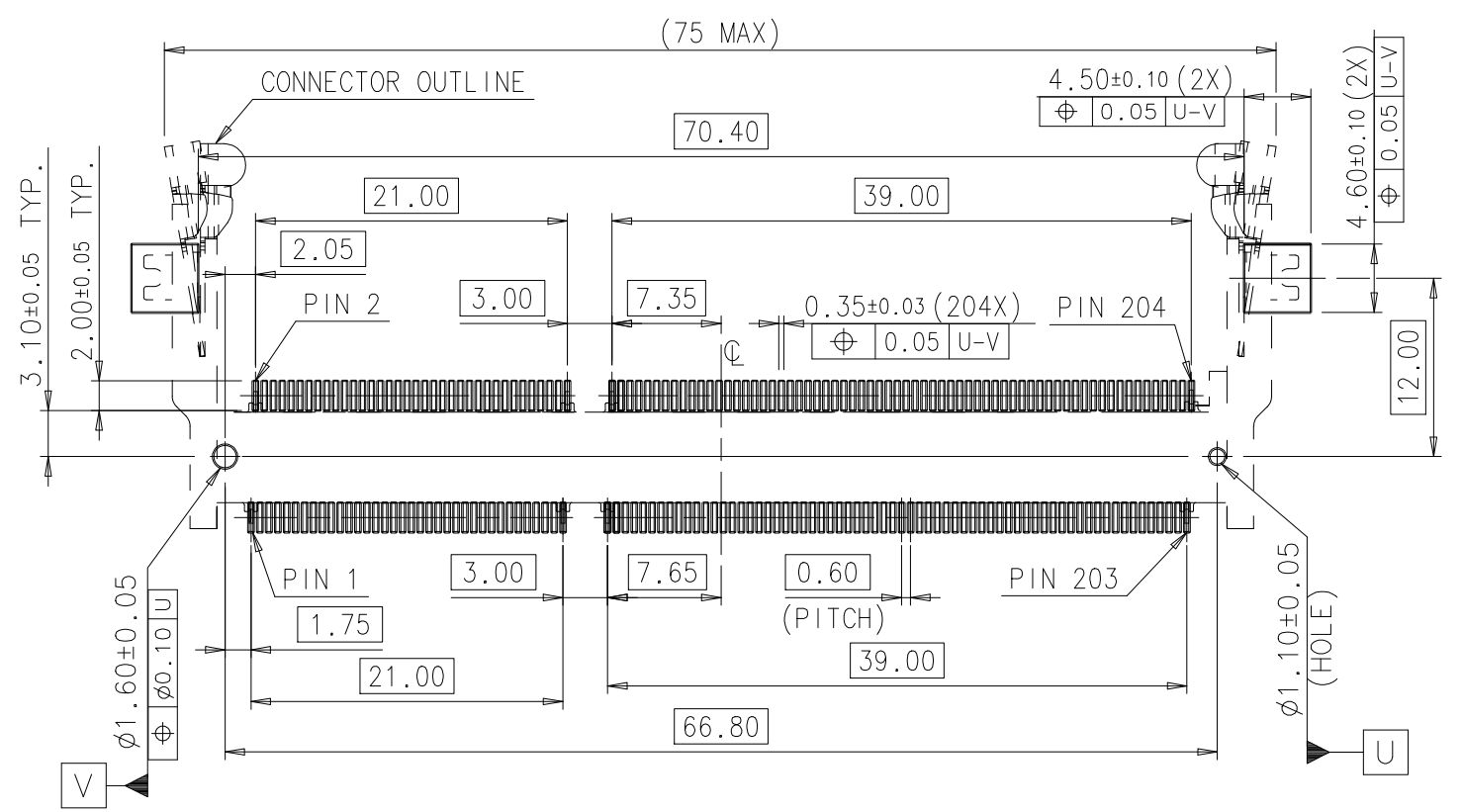
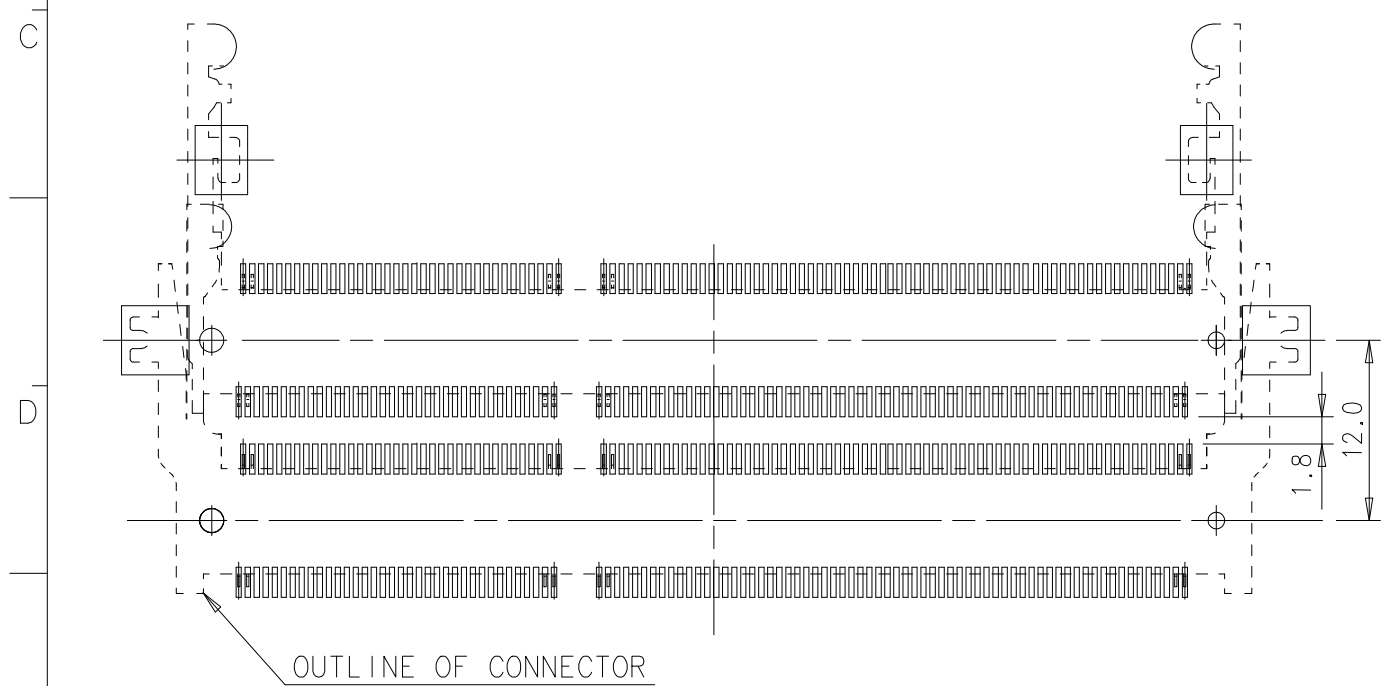
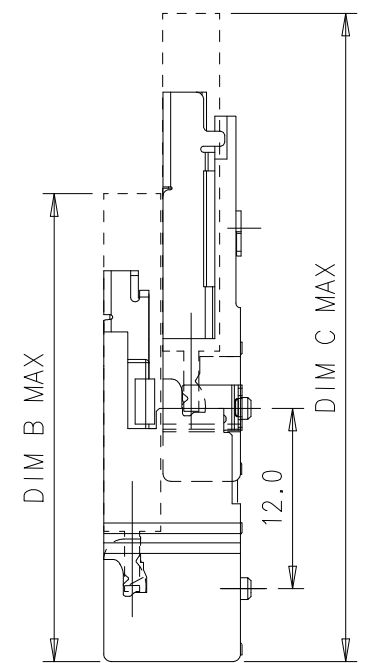
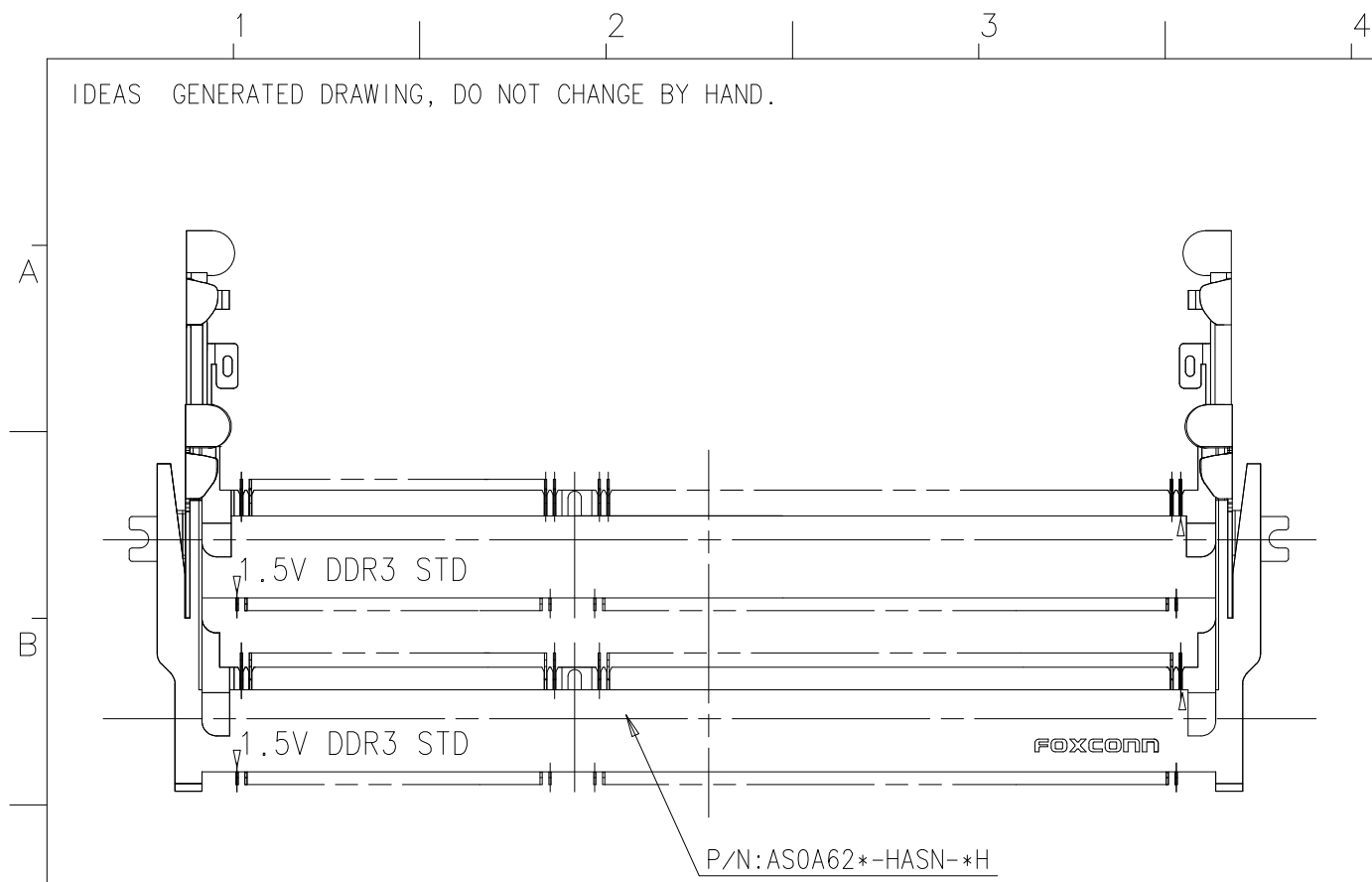
DDR III SO-DIMM MODULE BOARD LAYOUT

| SDRAM VARIATIONS | DIM A |
|------------------|-------|
| TYPE 1           | 25.40 |
| TYPE 2           | 31.75 |
| TYPE 3           | 30.00 |

|  |         |        |    |                           |  |         |      |
|--|---------|--------|----|---------------------------|--|---------|------|
| X. ± 0.25  | x° ±    | UNITS  | mm | NAME (INTENDED USE)       | <b>FOXCONN</b><br>HON HAI PRECISION IND. CO., LTD.<br>TAIPEI, TAIWAN, R.O.C. |         |      |
| .X ± 0.10  | .x° ±   | MAT'L  |    | DDR III SO DIMM CONNECTOR |  |         |      |
| .XX ± 0.05   | .xx° ±  |        |    | PART NO. (INTENDED USE)   | TITLE:   |         |      |
| .XXX ±   | .xxx° ± | FINISH |    | AS0A62*-HASN-*H           | CUSTOMER DRAWING   |         |      |
| THESE DRAWINGS AND SPECIFICATIONS ARE THE PROPERTY OF HON HAI PRECISION IND. CO., LTD. AND SHALL NOT BE REPRODUCED, COPIED OR USED IN ANY MANNER WITHOUT THE PRIOR WRITTEN CONSENT OF HON HAI PRECISION IND. CO., LTD. |         |        |    | APPD:                     | DWG NO. :<br>317-0000-1906   |         |      |
|  |         |        |    | Herry Yang                |  |         |      |
|  |         |        |    | CHKD:                     |  | ZH Wang |      |
|  |         |        |    | DR:                       | Joe Yang 10/27'11  |         |      |
|  |         |        |    |                           | SCALE  | SHEET   | REV. |
|  |         |        |    |                           | N/A  | 2/5     | D    |

IDEAS GENERATED DRAWING, DO NOT CHANGE BY HAND.

|      |          |       |
|------|----------|-------|
| REV. | ECN. NO. | APPD. |
|      |          |       |

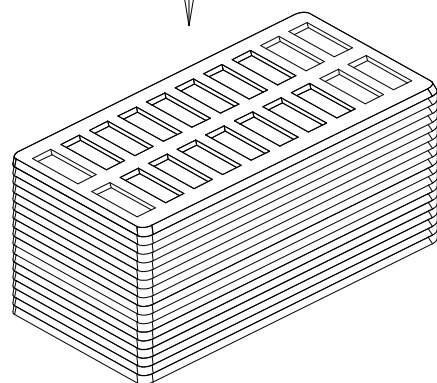
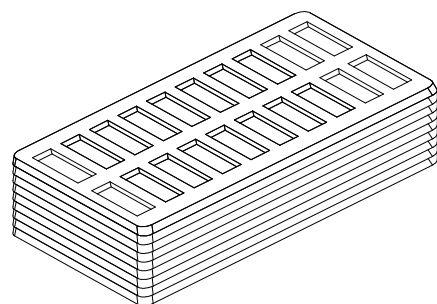
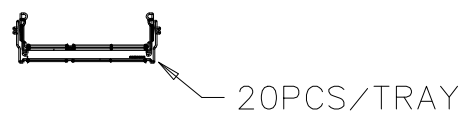
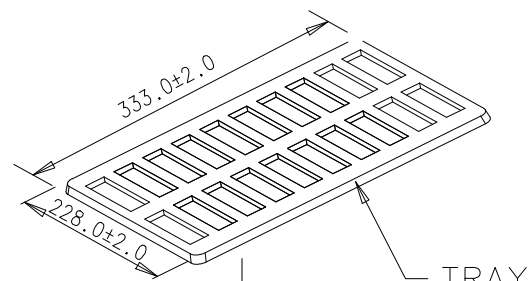


| SDRAM VARIATIONS | DIM B | DIM C |
|------------------|-------|-------|
| TYPE 1           | 30.4  | 42.4  |
| TYPE 2           | 36.7  | 48.7  |
| TYPE 3           | 35.0  | 47.0  |

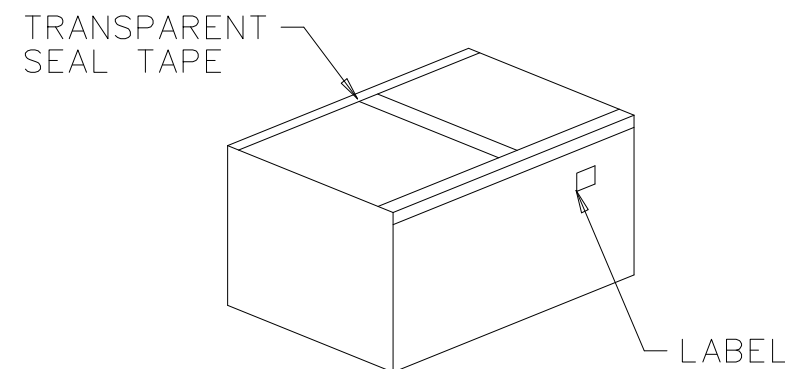
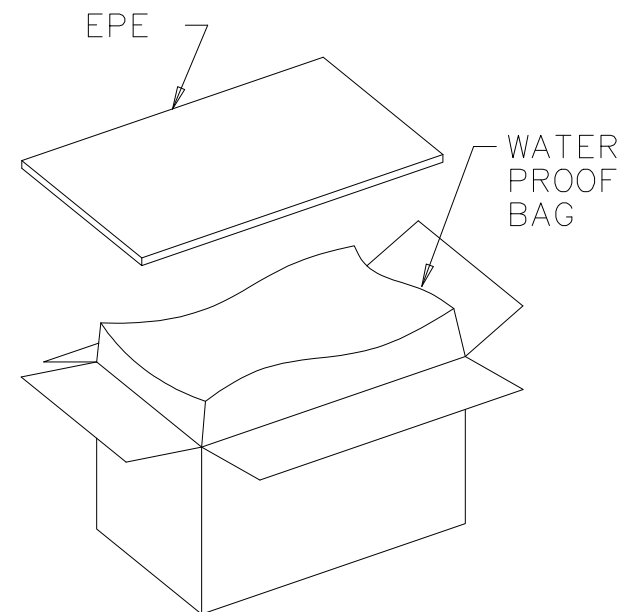
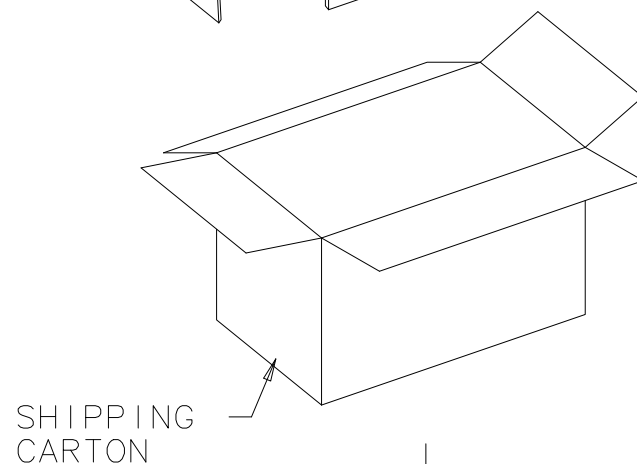
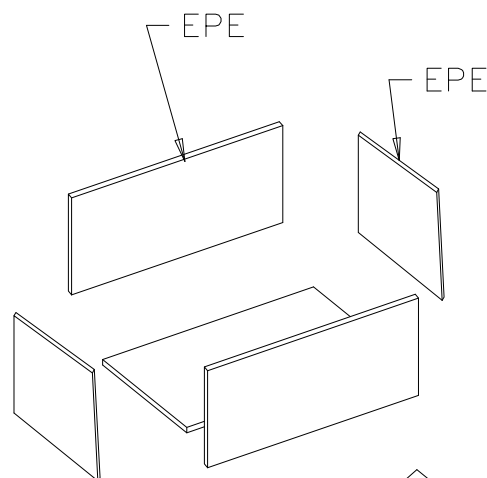
|   |         |             |                          |  |
|---|---------|-------------|--------------------------|--|
| X. ± 0.25   | X° ±    | UNITS<br>mm | NAME (INTENDED USE)      | <b>FOXCONN</b><br>HON HAI PRECISION IND. CO., LTD.<br>TAIPEI, TAIWAN, R.O.C. |
| .X ± 0.10   | .X° ±   |             | DDRIII SO DIMM CONNECTOR |  |
| .XX ± 0.05  | .XX° ±  | FINISH      | PART NO. (INTENDED USE)  | TITLE:   |
| .XXX ±  | .XXX° ± |             | ASOA62*-HASN-*H          | CUSTOMER DRAWING   |
| <small>THESE DRAWINGS AND SPECIFICATIONS ARE THE PROPERTY OF HON HAI PRECISION IND. CO., LTD. AND SHALL NOT BE REPRODUCED, COPIED OR USED IN ANY MANNER WITHOUT THE PRIOR WRITTEN CONSENT OF HON HAI PRECISION IND. CO., LTD.</small> |         |             | APPD: Herry Yang         | DWG NO.:   |
|   |         |             | CHKD: ZH Wang            | 317-0000-1906  |
|   |         |             | DR: Joe Yang 10/27'11    | SCALE SHEET REV.   |
|   |         |             |                          | N/A 3/5 D  |

IDEAS GENERATED DRAWING, DO NOT CHANGE BY HAND.

|      |      |     |       |
|------|------|-----|-------|
| REV. | ECN. | NO. | APPD. |
|      |      |     |       |



TOTAL 22 LAYERS TRAY  
THE TOP TRAY IS EMPTY



NOTES:

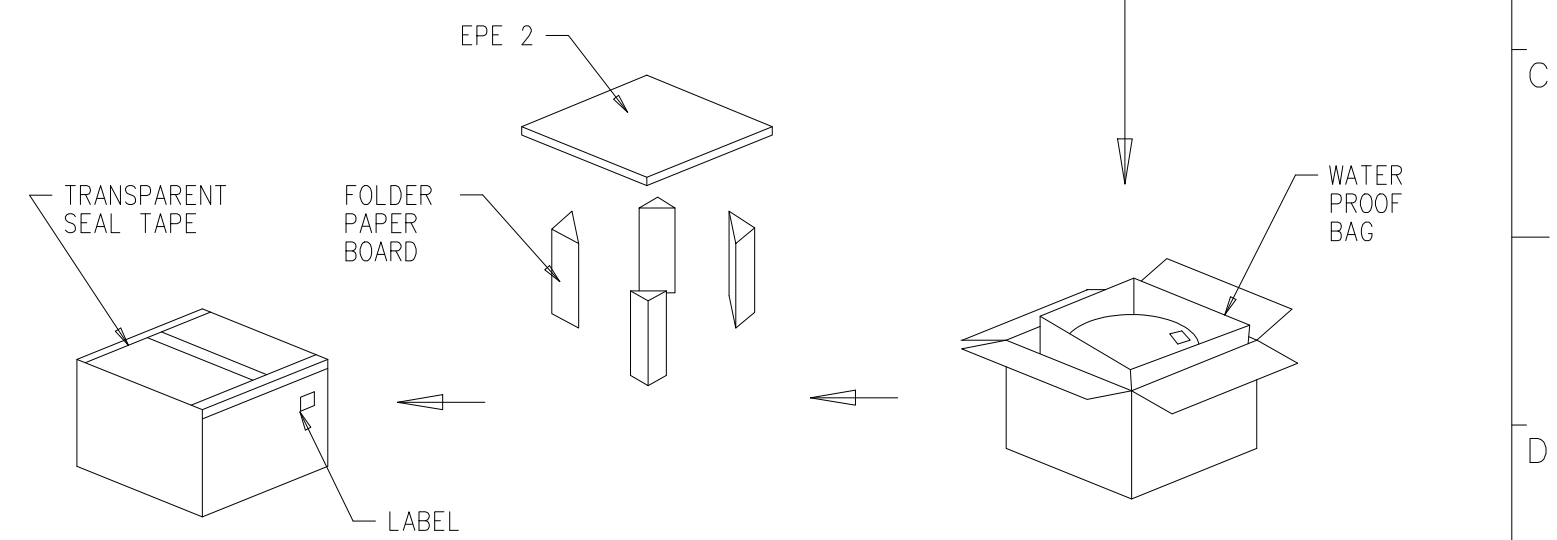
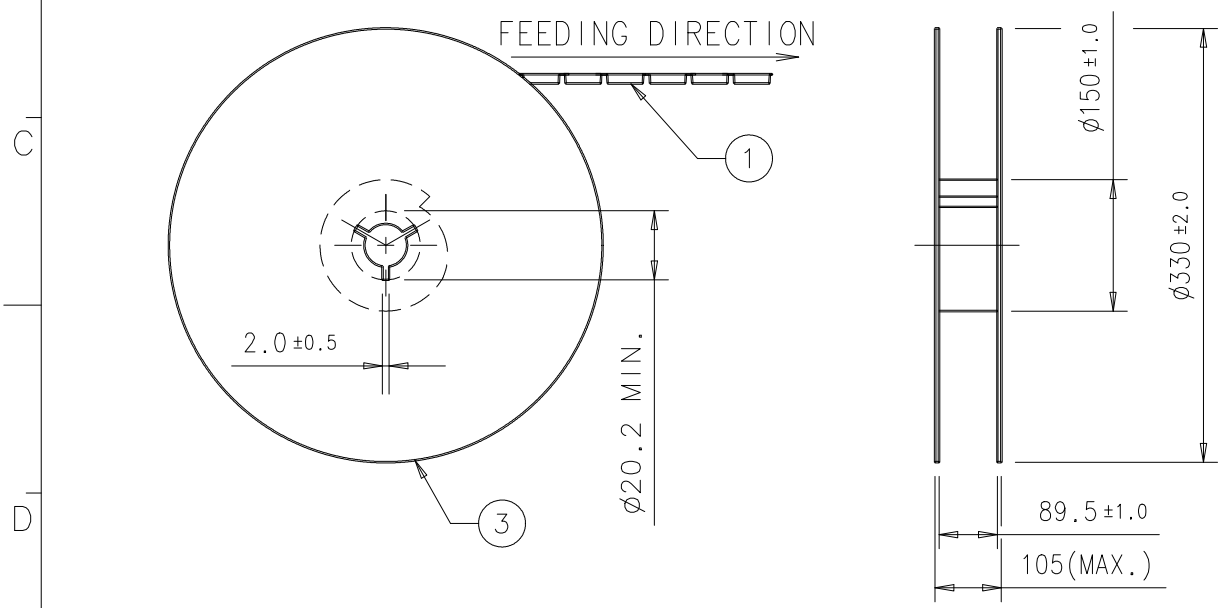
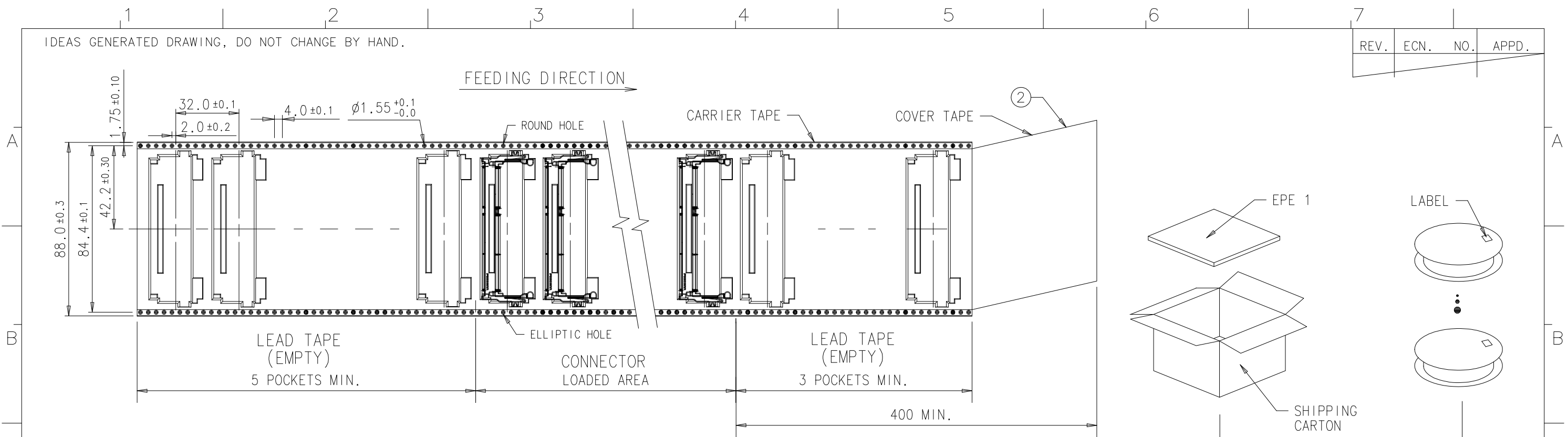
1. PACKING CAPACITY : 20 PCS/TRAY, 21 TRAYS/BOX,  
TOTAL 420 PCS/BOX.

|  |         |        |    |                          |  |          |               |      |
|--|---------|--------|----|--------------------------|--|----------|---------------|------|
| X. ± 1.5   | X° ±    | UNITS  | mm | NAME (INTENDED USE)      | <b>FOXCONN</b><br>HON HAI PRECISION IND. CO., LTD.<br>TAIPEI, TAIWAN, R.O.C. |          |               |      |
| .X ± 1.0   | .X° ±   | MAT'L  |    | DDRIII SO DIMM CONNECTOR |  |          |               |      |
| .XX ± 0.2  | .XX° ±  |        |    | PART NO. (INTENDED USE)  | TITLE:   |          |               |      |
| .XXX ±   | .XXX° ± | FINISH |    | AS0A62*-HASN-*H          | CUSTOMER DRAWING   |          |               |      |
| THESE DRAWINGS AND SPECIFICATIONS ARE THE PROPERTY OF HON HAI PRECISION IND. CO., LTD. AND SHALL NOT BE REPRODUCED, COPIED OR USED IN ANY MANNER WITHOUT THE PRIOR WRITTEN CONSENT OF HON HAI PRECISION IND. CO., LTD. |         |        |    | APPD:                    | Herry Yang   | DWG NO.: | 317-0000-1906 |      |
|  |         |        |    | CHKD:                    | ZH Wang  | SCALE    | SHEET         | REV. |
|  |         |        |    | DR:                      | Joe Yang 10/27'11  | N/A      | 4/5           | D    |

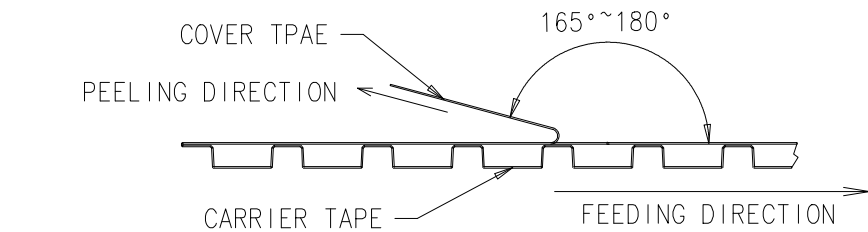
CONNECTOR P/N AS0A62\*-HASN-4H

IDEAS GENERATED DRAWING, DO NOT CHANGE BY HAND.

|      |      |     |       |
|------|------|-----|-------|
| REV. | ECN. | NO. | APPD. |
|      |      |     |       |



- NOTES:
1. 10 POCKETS HOLE PITCH CUMULATIVE TOLERANCE  $\pm 0.20\text{mm}$ .
  2. COVER TAPE PEELING STRENGTH : 0.01kgf MIN., 0.15 kgf MAX. AT 300mm/min.



3. PACKING CAPACITY : 110 PCS/REEL, 3 REELS/BOX, TOTAL 330 PCS/BOX.

|      |              |             |
|------|--------------|-------------|
| ③    | REEL         | POLYSTYRENE |
| ②    | COVER TAPE   | POLYESTER   |
| ①    | CARRIER TAPE | POLYSTYRENE |
| ITEM | DESCRIPTION  | MATERIAL    |

|  |         |       |    |                          |  |          |               |      |
|--|---------|-------|----|--------------------------|--|----------|---------------|------|
| X. ±   | X° ±    | UNITS | mm | NAME (INTENDED USE)      | <b>FOXCONN</b><br>HON HAI PRECISION IND. CO., LTD.<br>TAIPEI, TAIWAN, R.O.C. |          |               |      |
| .X ±   | .X° ±   | MAT'L |    | DDRIII SO DIMM CONNECTOR |  |          |               |      |
| .XX ±  | .XX° ±  |       |    | PART NO. (INTENDED USE)  | TITLE:   |          |               |      |
| .XXX ±   | .XXX° ± |       |    | AS0A62*-HASN-*H          | CUSTOMER DRAWING   |          |               |      |
| THESE DRAWINGS AND SPECIFICATIONS ARE THE PROPERTY OF HON HAI PRECISION IND. CO., LTD. AND SHALL NOT BE REPRODUCED, COPIED OR USED IN ANY MANNER WITHOUT THE PRIOR WRITTEN CONSENT OF HON HAI PRECISION IND. CO., LTD. |         |       |    | APPD:                    | Herry Yang   | DWG NO.: | 317-0000-1906 |      |
|  |         |       |    | CHKD:                    | ZH Wang  | SCALE    | SHEET         | REV. |
|  |         |       |    | DR:                      | Joe Yang 10/27'11  | N/A      | 5/5           | D    |

|               |                 |
|---------------|-----------------|
| CONNECTOR P/N | AS0A62*-HASN-7H |
|---------------|-----------------|