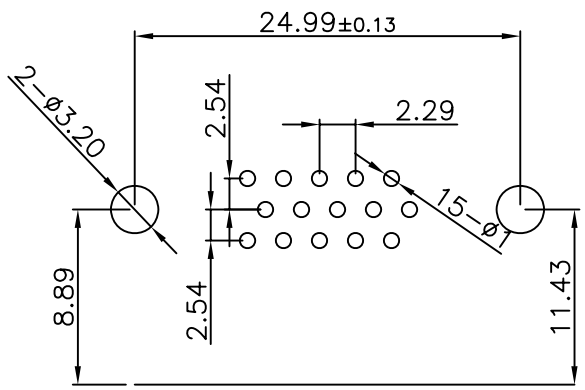
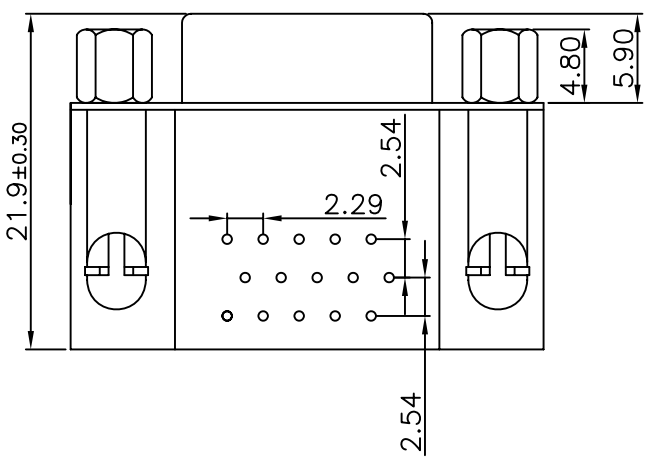
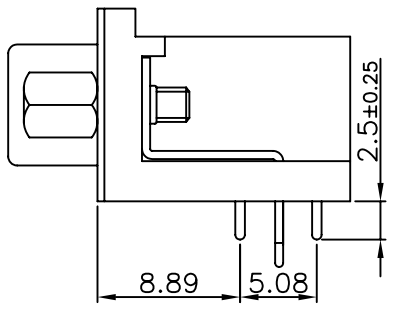
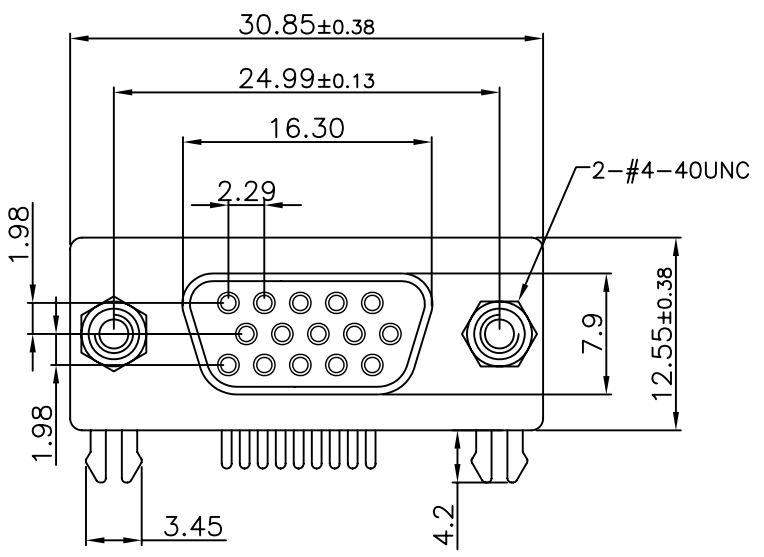


RoHS

Mark	ECN NO.	DESCRIPTION	DESIGN	Date:
A		New		
B	1304001	鱼叉卡位尺寸变更	LiJian	2013.04.03



PCB LAYOUT

SPECIFICATIONS:

ELECTRICAL SPECIFICATION

- Contact Current Rating: 3 Amperes
- Dielectric Withstanding Voltage: AC 1000/60ses.r.m.s.
- Insulation Resistance: 5000 Megohms MINMUM at DC 500V
- Contact Resistance: 25 MilliOhms Maximum
- Operating Tempetature: -55°C~+105°C

MECHANICAL CHATACTERISTICS:

- Contact Insertion Force: 300gfMax
- Contact Separation Force; 25gf Min

MATERIALS:

- Contacts: Brass
- Insulator: PBT+30%
- Shell: Steel

Tolerance X.X ±0.30 X.XX ±0.25 X.XXX ±0.15 Angle ±2.0°	Model Name: HDR 15母8.89直锁 浅蓝胶 针长2.5				Drawing: JiangqQL	
	Model No: WLHD-078A				Checked: Lijian	
	UNIT:	SCALE:	REVISION:	SHEET	Approved: WEI JI YANG	
	mm	FULL	B	1/1	Date: 2013.04.03	
		WLCO ® 深圳市兴万联电子有限公司 SHENZHEN XINGWANLIAN TECHNOLOGY CO.,LTD			DWG NO.	
					FILE: C	