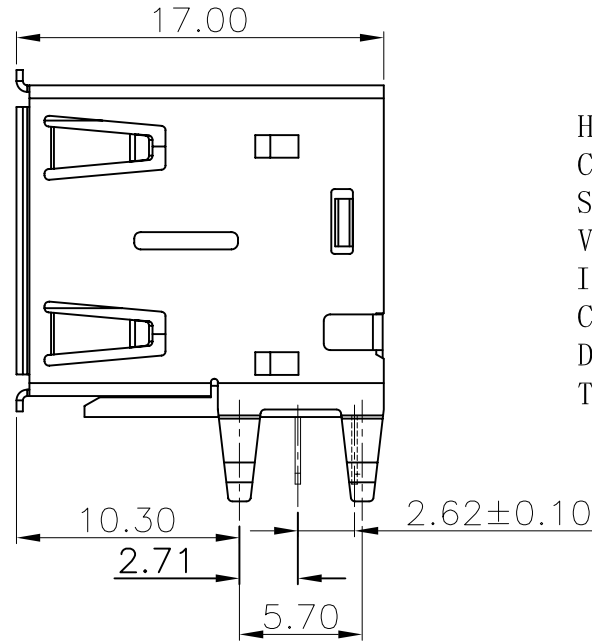
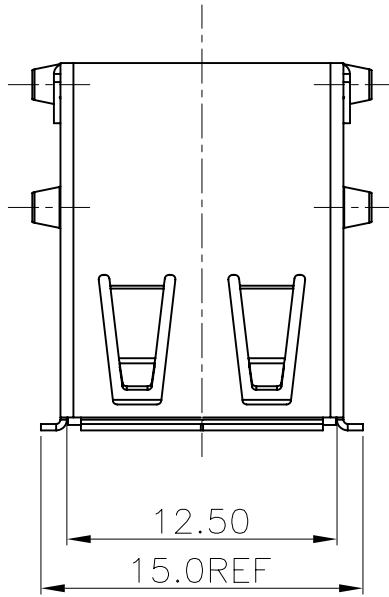
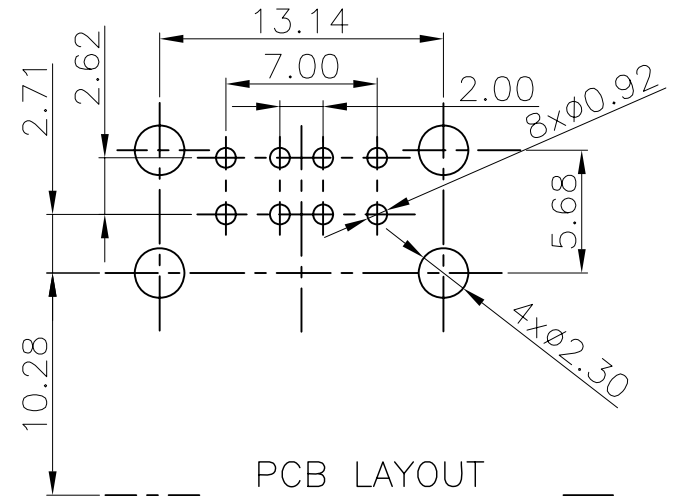
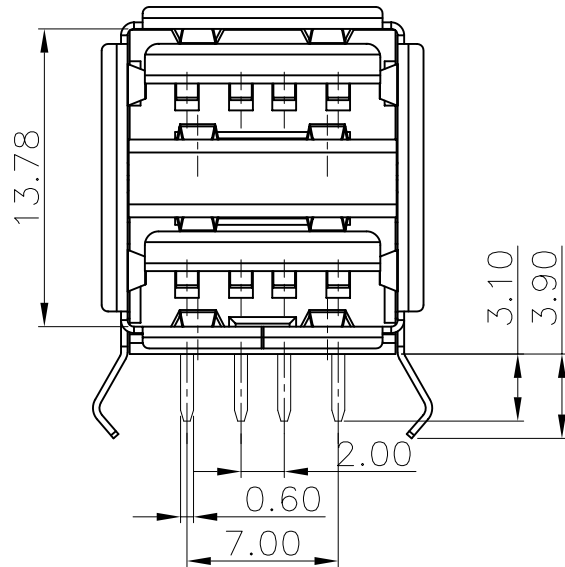


RoHS

Mark	ECN NO.	DESCRIPTION	DESIGN	Date:



Housing: Thermoplastics, UL94V-0  
 Contact: Copper Alloy  
 Shell: Steel  
 Voltage Current Rating: 1.5 AMP. 30V AC  
 Insulation Resistance: 1000MΩ Min.  
 Contact Resistance: 30 mΩ Max.  
 Dielectric Withstanding Voltage: 500V AC  
 Temperature Range: -55°C to +85°C



PCB LAYOUT  
(Top View)

Tolerance X.X ±0.30 X.XX ±0.25 X.XXX ±0.15 Angle ±2.0°	Model Name: 双层USB A-TYPE 1.1蓝色 90度				Drawing: Lijian	
	Model No: WLUS-055A				Checked: Lijian	
	UNIT:	SCALE:	REVISION:	SHEET	Approved: WEI JI YANG	
	mm	FULL	A1	1/1	Date: 2011.08.10	
		WLCO <sup>TM</sup> 深圳市兴万联电子有限公司 SHENZHEN XINGWANLIAN TECHNOLOGY CO.,LTD			DWG NO.	
					FILE: C	