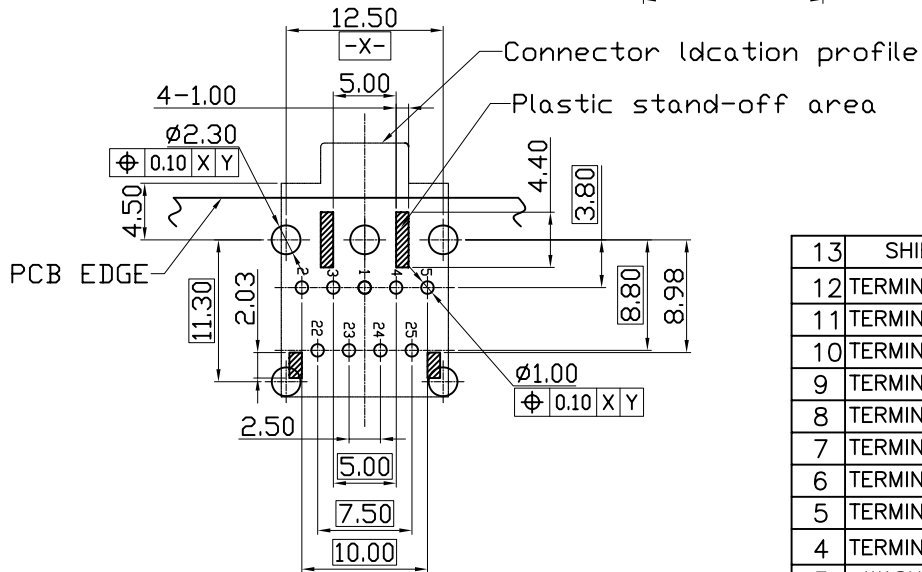
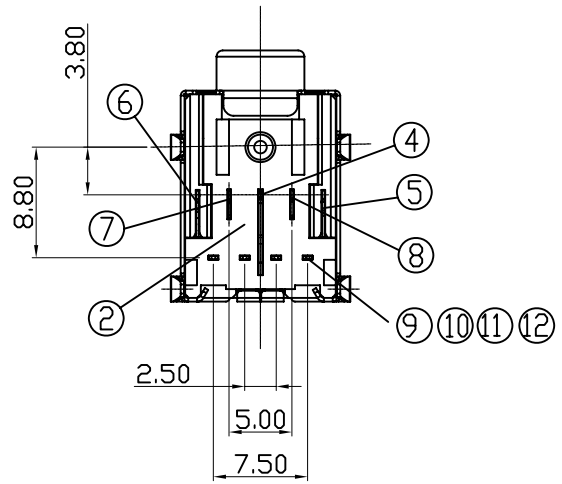
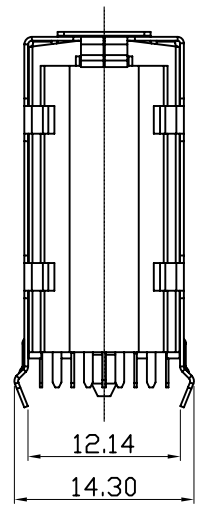
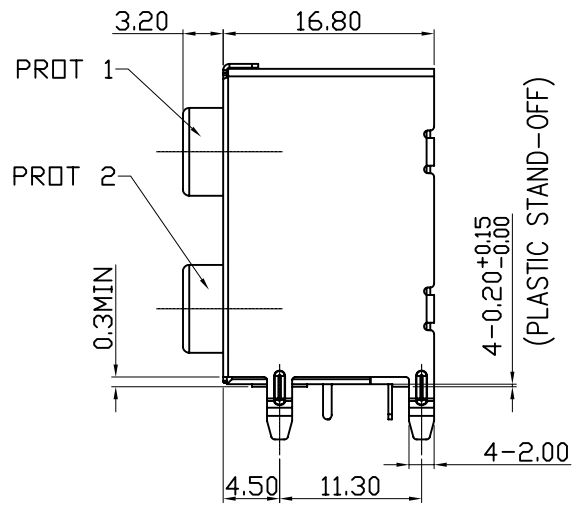
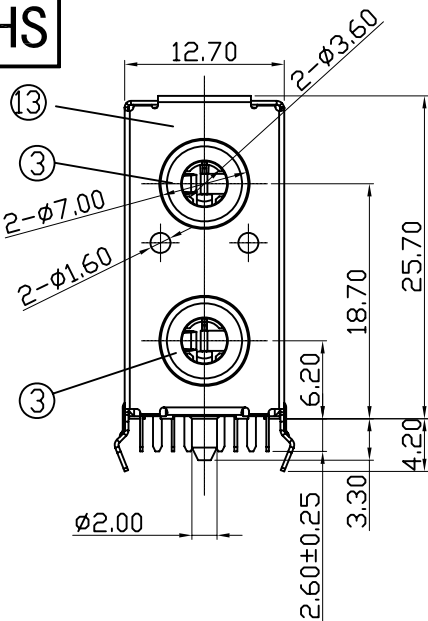


RoHS



RECOMMENDED P.C.B LAYOU (COMPONENT SIDE VIEW)
 DEFAULT TOLERANCE:±0.05
 RECOMMENDED P.C.B'S THICKNESS:1.57±0.05

Mark	ECH. NO.	DESCRIPTION	DESIGN	Date:
A		New		

13	SHIELD	SUS	Tin Flash at foot solder side
12	TERMINAL-25	COPPER ALLOY	Ni/Au/Sn
11	TERMINAL-24	COPPER ALLOY	Ni/Au/Sn
10	TERMINAL-23	COPPER ALLOY	Ni/Au/Sn
9	TERMINAL-22	COPPER ALLOY	Ni/Au/Sn
8	TERMINAL-5	COPPER ALLOY	Ni/Au/Sn
7	TERMINAL-4	COPPER ALLOY	Ni/Au/Sn
6	TERMINAL-3	COPPER ALLOY	Ni/Au/Sn
5	TERMINAL-2	COPPER ALLOY	Ni/Au/Sn
4	TERMINAL-1	COPPER ALLOY	Ni/Au/Sn
3	WASHER	PBT UL94V-0	Lime(557C)/Pink(701C)
2	COVER	PBT UL94V-0	Black
1	HOUSING	PA66 UL94V-0	Black
NO.	DESCRIPTION	MATERIAL	PLATING

Tolerance X.X ±0.30 X.XX ±0.25 X.XXX ±0.15 Angle ±2.0°	Model Name: AUD10 JACK 1*2(上绿下红) 铜端子 半金			Drawing: Lijian
	Model No: WLAU-011A			Checked: Lijian
UNIT: mm	SCALE: FULL	REVISION: A	SHEET: 2/2	Approved: WEI JI YANG
				Date: 2012.05.28
	深圳市兴万联电子有限公司 SHENZHEN XINGWANLIAN TECHNOLOGY CO.,LTD			DWG NO.
				FILE: C