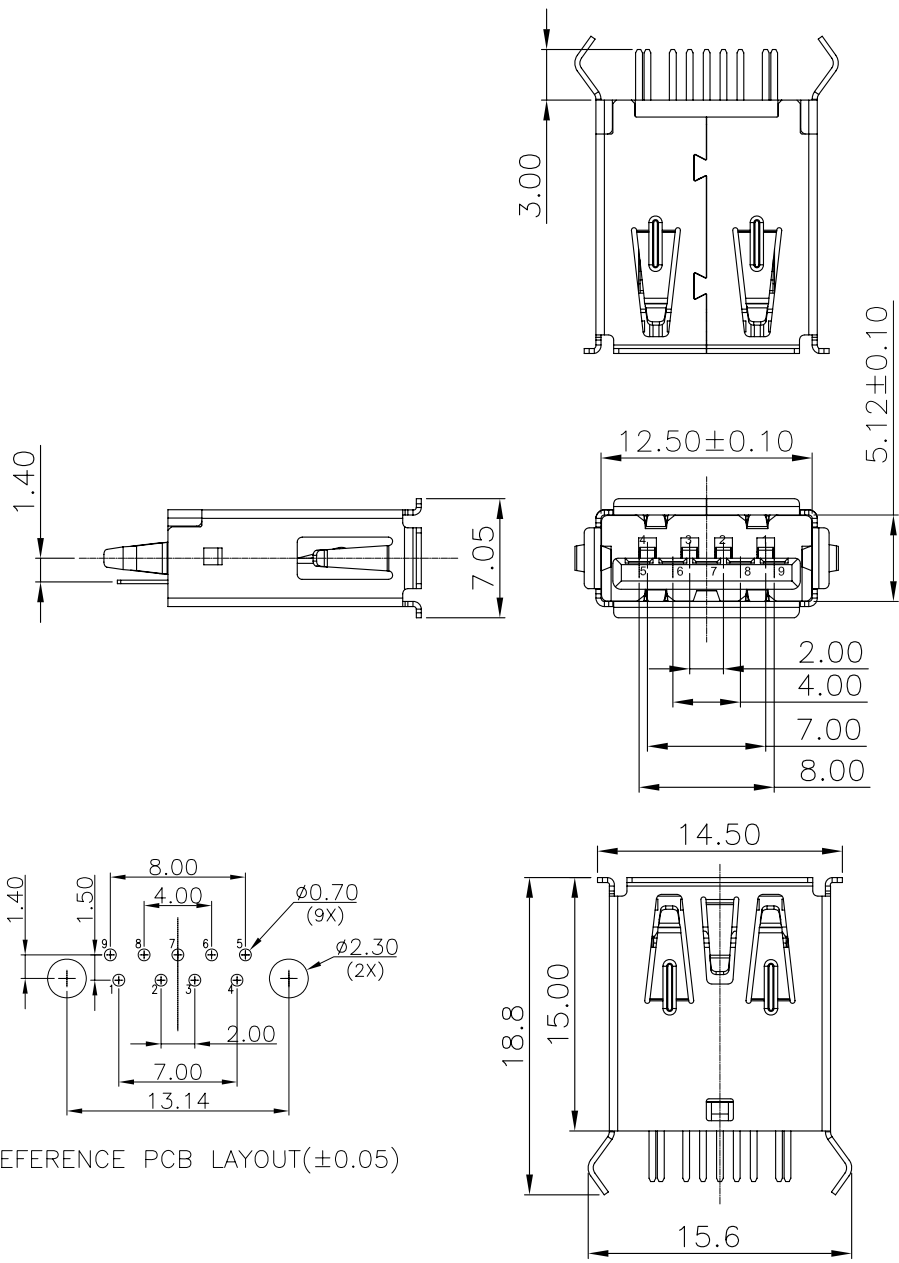


Mark	ECN NO.	DESCRIPTION	DESIGN	Date:



NOTES:

- MECHANICAL:
 - MATING: 35N MAX.
 - WITHDRAWAL: 10N MIN.
 - DURABILITY: 1500 CYCLES
- ELECTRICAL:
 - CURRENT: 1.8A Maximum for pin1 and pin4, and 0.25A for all the other pin.
 - VOLTAGE: 30 Vac (rms)
 - WITHSTANDING VOLTAGE: 100V AC
 - CONTACT RESISTANCE:
 - 30 mΩ (Max) initial for pin1 and pin4.
 - 50 mΩ (Max) initial for all other contacts.
 - Maximum change of +10mΩ after environmental stresses.
 - Measure at 20 mV (Max) open circuit at 100 mA.
 - DIELECTRIC WITHSTANDING VOLTAGE: 100V AC(RMS)
 - INSULATION RESISTANCE: 100MΩ MIN.
- ENVIRONMENTAL
 - TEMPERATURE RANGE -55°C ~ +85°C

ITEM	PART NAME	Material	Q'TY	REMARK
1	Housing	PBT	1	Blue UL94V-0
2	COVER	PBT	1	Blue UL94V-0
3	4 PIN Contact	COPPER ALLOY	4	Plating G.F/Tin
4	5 PIN Contact	COPPER ALLOY	5	Plating G.F/Tin
5	Shell	COPPER ALLOY	1	Plating Ni

Tolerance X.X ±0.30 X.XX ±0.25 X.XXX ±0.15 Angle ±2.0°	Model Name: 单层USB3.0 A-TYPE 180度 覆胶 H15.0 外壳弯脚			Drawing: QIN
	Model No: WLUS-146A			Checked: Lijian
	UNIT: mm	SCALE: FULL	REVISION: A	SHEET 1/1
	Date: 2015.07.18			Approved: WEI JI YANG
WLCO ® 深圳市兴万联电子有限公司 SHENZHEN XINGWANLIAN TECHNOLOGY CO.,LTD			DWG NO.	
			FILE: C	