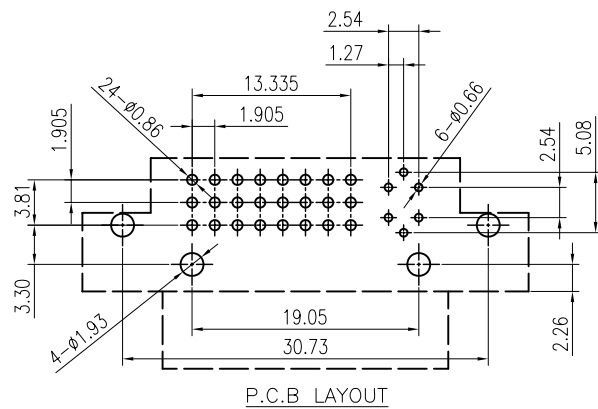
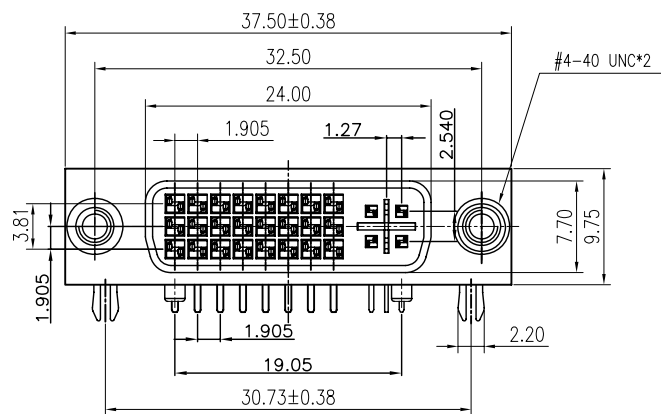


RoHS

Mark	ECN NO.	DESCRIPTION	DESIGN	Date:
A	---	New	---	---
B	201207002	塑胶主体定位柱尺寸改为1.4±0.10mm	Lijian	2012.07.04
C	201212004	侧向鱼叉变更为正向鱼叉	Lijian	2012.12.24



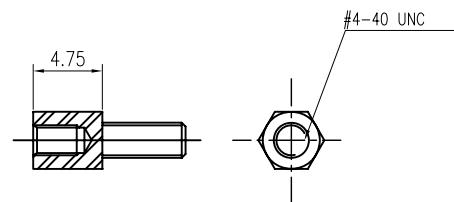
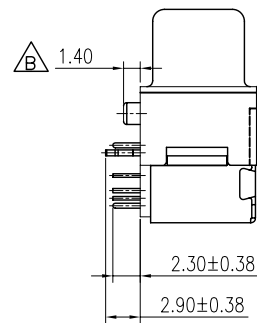
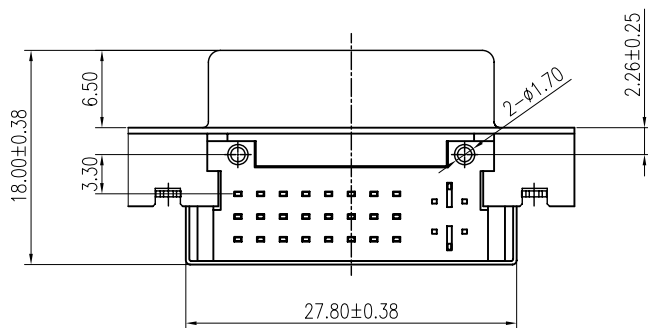
NOTE:

MATERIALS:

1. Housing: PBT Color: Balck
2. Cover: PA66 Color: Balck
3. Contacts: Brass
4. Shell: SPCC
5. Board Lock: SPCC
6. Rivet: Copper Alloy
7. Shielding shell: SPCC

FINSH:

1. Contacts: Gold Flash Plated on Contact Area
Sn Plated on Solderails
Nickel Under Plated Over All
2. Shell: Nickel Plated
3. Board Lock: Sn Plated Over Nickel
4. Rivet: Nickel Plated
5. Shielding shell: Nickel Plated



Tolerance X.X ±0.25 X.XX ±0.15 X.XXX ±0.10 Angle ±2.0°	Model Name: DVI 24+5 塑胶 屏蔽壳 中柱圆头 针长2.3mm 正接鱼叉2.2MM				Drawing: Lijian	
	Model No: WLDV-078A				Checked: Lijian	
	UNIT:	SCALE:	REVISION:	SHEET	Approved: WEI JI YANG	
	mm	Full	C	1/1	Date: 2012.12.24	
	WLCO ® 深圳市兴万联电子有限公司 SHENZHEN XINGWANLIAN TECHNOLOGY CO.,LTD				DWG NO.	
					FILE: C	