

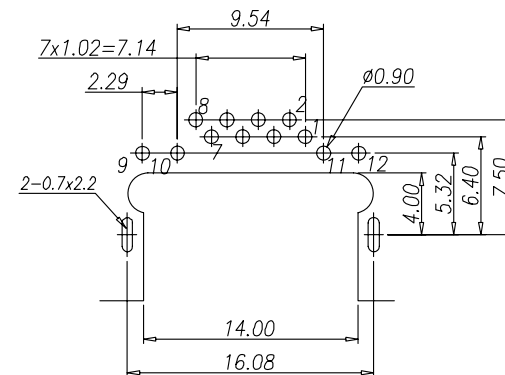
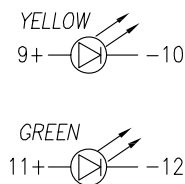
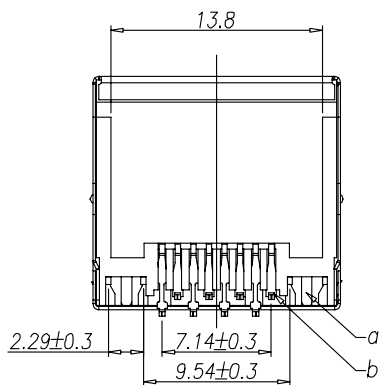
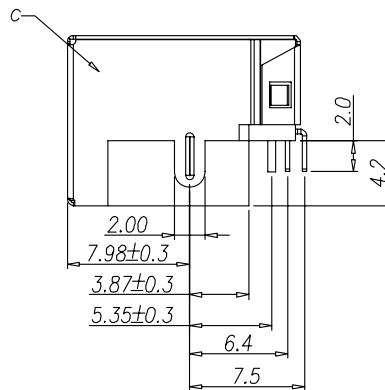
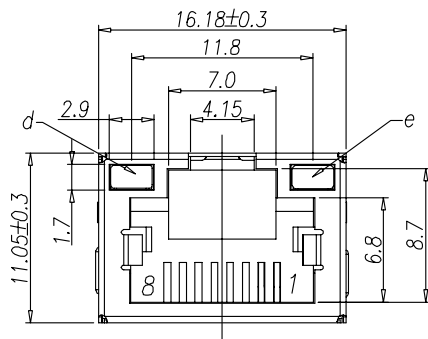
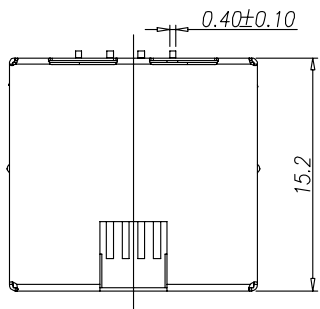
RoHS

Mark	ECN NO.	DESCRIPTION	DESIGN	Date:
A		New		

SPECIFICATIONS:

1. RJ Electrical Characteristics

- 1-1: Voltage: 150V AC RMS
- 1-2: Current Rating: 1.5A
- 1-3: Contact Resistance: 40mΩ MAX.
- 1-4: Insulation Resistance: 500MΩ MIN.
- 1-5: Dielectric Withstang Voltage :1000V AC
- 1-6: Operature Temperature: -40°C~80°C



Recommend PCB Layout
(Jack Top View)
Tolerance: ±0.05mm

e	LED 02	1	LED TYPE	Yellow
d	LED 01	1	LED TYPE	Green
c	Shielding	1	Brass, T=0.2mm	Ni Plating
b	Terminal	8	Phosphor Bronze, T=0.3mm	Au Plating
a	Housing	1	LCP UL94V-0	Black
NO	PART NAME	Q'TY	MATERIAL	PLATING & COLOR

Tolerance				Model Name: RJ45单孔 90° 沉板 无弹有灯				Drawing: QIN	
X.X ±0.30				Model No: WLRJ-081A				Checked: Lijian	
X.XX ±0.25				UNIT:	SCALE:	REVISION:	SHEET	Approved: WEI JI YANG	
X.XXX ±0.15				mm	FULL	A	1/1	Date: 2014.07.30	
Angle ±2.0°				WLCO ® 深圳市兴万联电子有限公司 SHENZHEN XINGWANLIAN TECHNOLOGY CO.,LTD				DWG NO.	
								FILE: C	