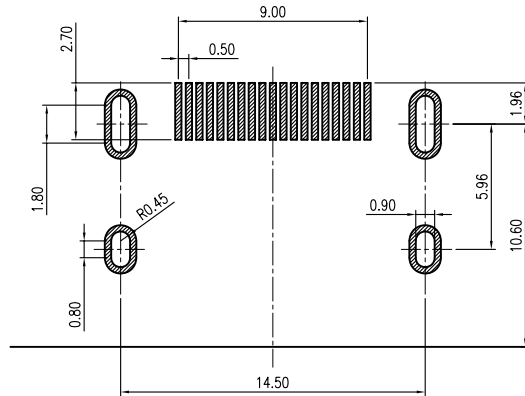
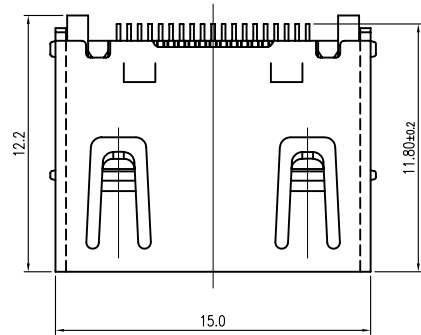
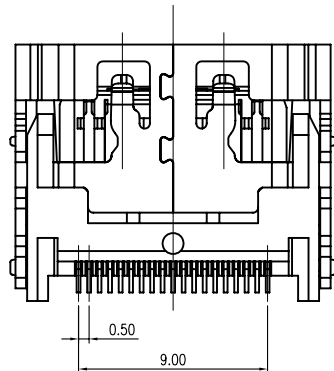
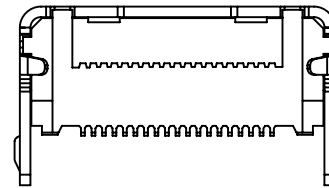
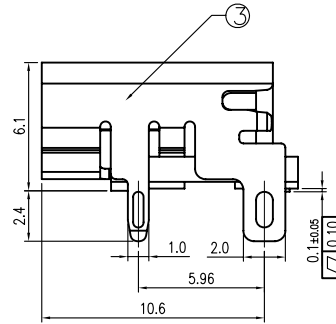
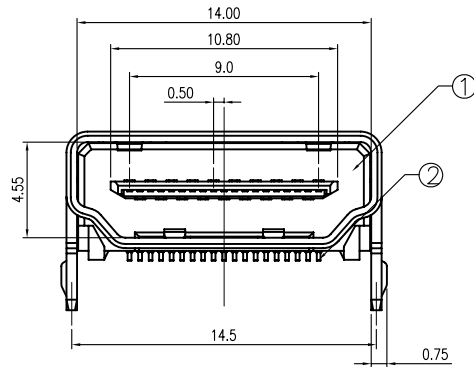


RoHS

Mark	ECN NO.	DESCRIPTION	DESIGN	Date:
A		NEW		



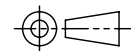
PCB LAYOUT(TOP VIEW)



NOTE:

- Material:
Housing: Thermoplastics,UL94V-0; COLOR: BLACK
Contact: Copper Alloy
Shell: Copper Alloy
- FINISH:
Contact: Au Plated on Contact Arca,
Matte Tin Plated on Solder Tails,
Nickel Underplating Over All.
Shell: Nickel Underplating Over All.
- Specification:
3.1: Electrical:
Insulation Resistance(EIA-364-21):
100MΩ Min. at 500V/DC for 1Minute.
Contact Resistance(EIA-364-06): 30 mΩ Max.
Dielectric Withstanding Voltage(EIA-364-20):
No discharge, flashover or breakdown at 500V/AC 1Minute

3	SHELL	1	COPPER ALLOY	PLATED: Ni
2	CONTACT	19	COPPER ALLOY	PLATED: Ni/Au/Matte Tin
1	HOUSING	1	LCP UL94 V-0	BLACK
NO.	ITEM	Q'TY	MATERIAL	FINISH
Tolerance		Model Name: HDMI 19P SMT 型 无耳有弹无铅弹 四脚带卡点 前脚宽1.0 塑胶底座剪短 吸塑包装		Drawing: PYP
X.X	±0.30	Model No: WLDM-086A		Checked: Lijian
X.XX	±0.25	UNIT:	SCALE:	REVISION:
X.XXX	±0.15	mm	FULL	A
Angle	±2.0°	SHEET	1/1	Date: 2013.06.20
		DWG NO.		FILE: C
		DATE:		



WLCO® 深圳市兴万联电子有限公司
SHENZHEN XINGWANLIAN TECHNOLOGY CO.,LTD