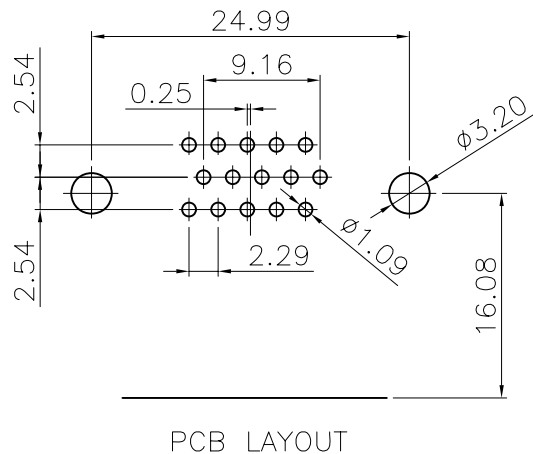
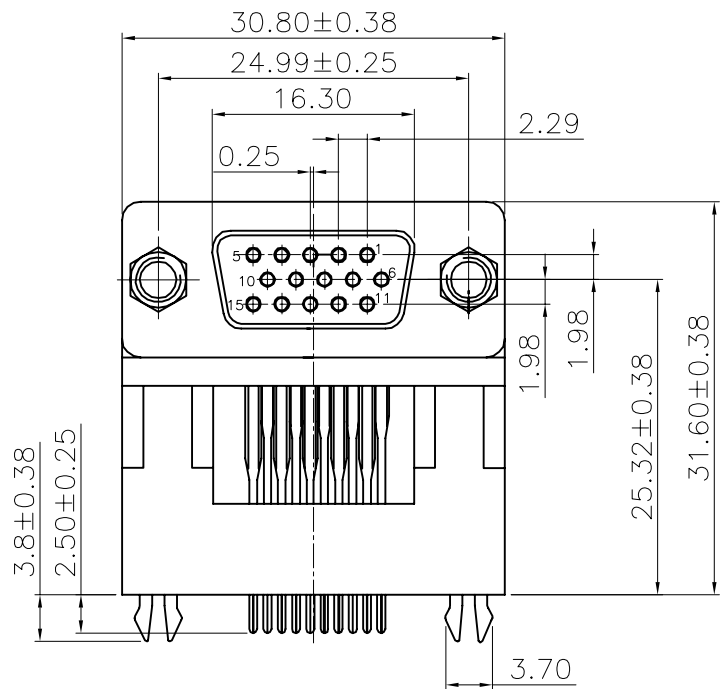


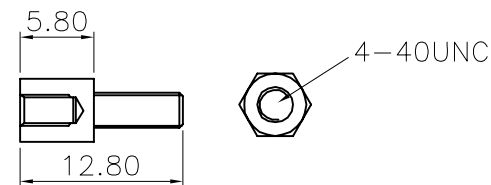
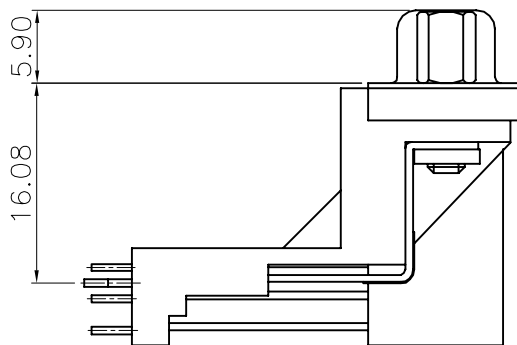
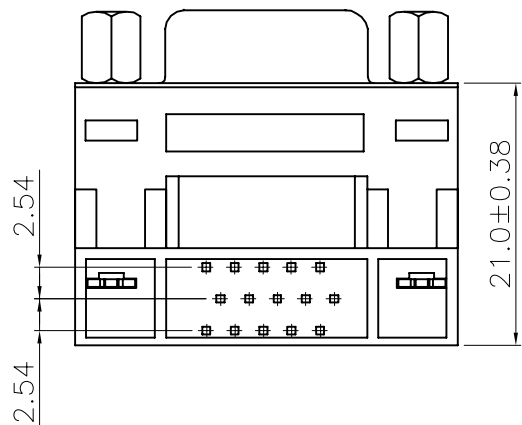
RoHS

Mark	ECN NO.	DESCRIPTION	DESIGN	Date:
A	—	New	—	—
B	201510001	变更支架结构	YSX	2015.10.19



NOTES:

- MATERIAL:
 - HOUSING: PBT+30% GF, COLOR: BLUE.
 - COVER: PBT+30% GF, COLOR: BLUE.
 - BRACKET: PA66+30% GF, COLOR: BLUE.
 - CONTACT: BRASS,
 - SHELL: SPCC,
 - RIVET: COPPER ALLOY,
 - BOARD LOCK: SPCC,
 - SCREW: SPCC.
- FINISH:
 - CONTACTS: GOLD PLATED ON CONTACT AREA, TIN PLATED ON SOLDER AREA, NI UNDERPLATED OVERALL.
 - SHELL: NI PLATED.
 - RIVET: NI PLATED.
 - BOARD LOCK: TIN PLATED.
 - SCREW: NI PLATED.
- SPECIFICATIONS:
 - CURRENT RATING: 3 A
 - INSULATION RESISTANCE: 1000MΩ MIN.
 - DIELECTRIC WITHSTANDING VOLTAGE: 1000VAC/MINUTE.
 - OPERATING TEMPERATURE: -25°C TO +85°C



螺丝示意图

Tolerance X.X ±0.30 X.XX ±0.25 X.XXX ±0.15 Angle ±2.0°	Model Name: DR15母高架 半金铆锁5.8 蓝色				Drawing: PYP
	Model No: WLDR-051A				Checked: YSX
	UNIT:	SCALE:	REVISION:	SHEET	Approved: Lijian
	mm	Full	A	1/1	Date: 2015.10.19
		WLCO [®] 深圳市兴万联电子有限公司 SHENZHEN XINGWANLIAN TECHNOLOGY CO.,LTD			DWG NO.
				FILE: C	