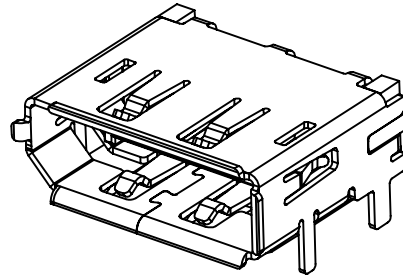
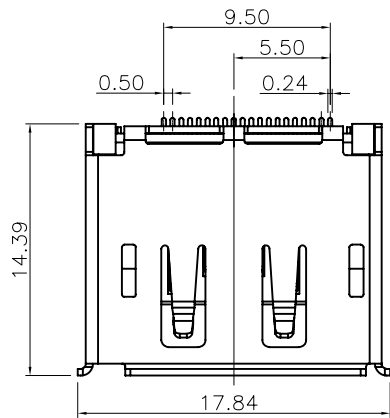
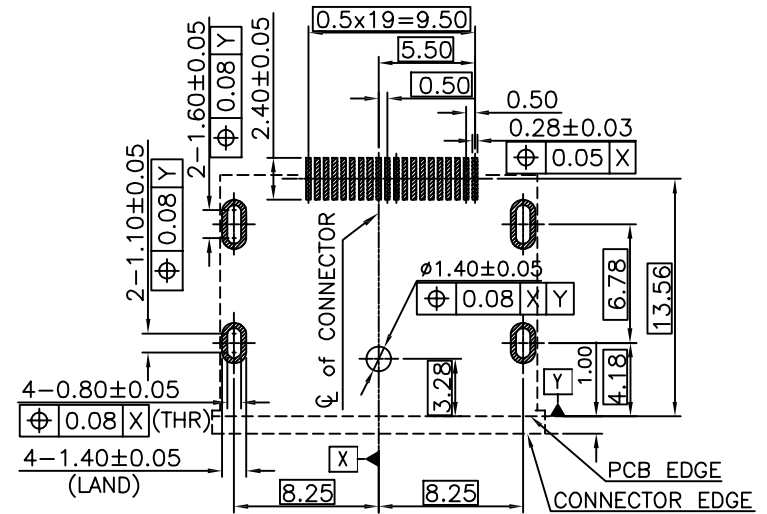
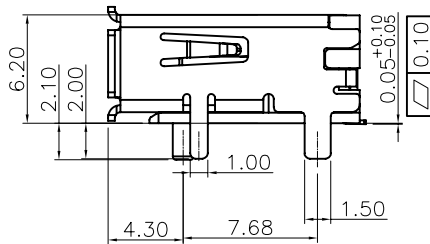
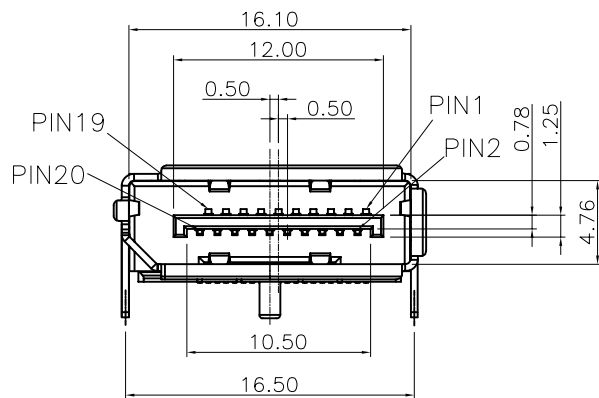


Mark	ECN NO.	DESCRIPTION	DESIGN	Date:
A		NEW		



NOTE:

- Material:
  - Housing: Lcp, Color: Black
  - Contact: Copper Alloy
  - Shell: Copper Alloy
- FINISH:
  - Contact: Au 15u"MIN Plated on Contact Area, Tin Plated on Solder Tails, Nickel Underplating Over All.
  - Shell: Nickel Underplating Over All.
- Specification:
  - 3.1: Electrical:
    - Contact Current Rating: 0.5A
    - Insulation Resistance: 100MΩ Min.
    - Contact Resistance: 30 mΩ Max.
    - Dielectric Withstanding Voltage: 500V/AC 1Minute
    - Operating Temperature: -40°C ~ 85°C



RECOMMENDED P.C.BOARD LAYOUT (TOP VIEW)  
TOLERANCES UNLESS OTHERWISE SPEC.±0.05

Tolerance X.X ±0.30 X.XX ±0.25 X.XXX ±0.15 Angle ±2.0°	Model Name: DP SMT TYPE 有弹 单柱 后脚宽1.5				Drawing: PYP	
	Model No: WLDP-011A				Checked: YSX	
	UNIT:	SCALE:	REVISION:	SHEET	Approved: Lijian	
	mm	FULL	A	1/1	Date: 2015.12.01	
		WLCO® 深圳市兴万联电子有限公司 SHENZHEN XINGWANLIAN TECHNOLOGY CO.,LTD				DWG NO.
					FILE:	C