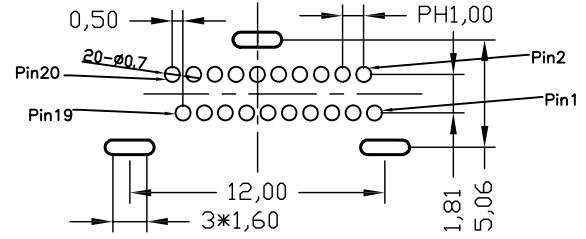
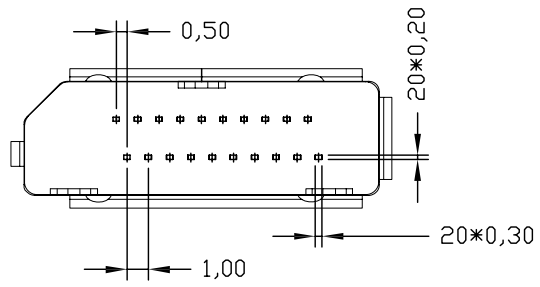
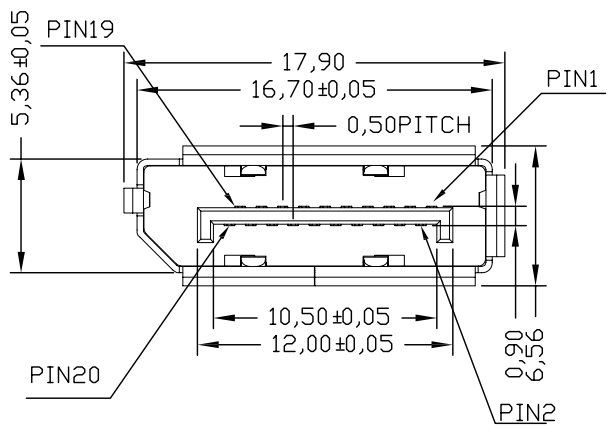
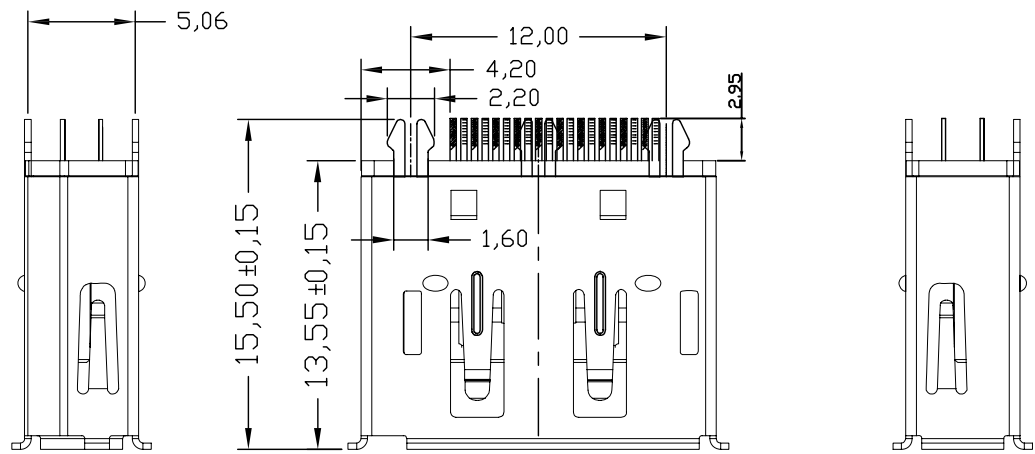


RoHS

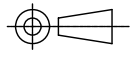
Mark	ECN NO.	DESCRIPTION	DESIGN	Date:



PBC 标示图



NOTE:
 1.MATERIAL:
 HOUSING:HIGH TEMPERATURE POLYESTER &
 GLASS FIBER UL94V-0 BLACK COLOR
 ONTACT:COPPER ALLOY
 SHELL:COPPER ALLOY&SPCC
 FINISH:
 CONTACT: Au PLATING ON CONTACT AREA
 SOLDERING AREA: TIN PLATING
 SHELL: CU PLATING

Tolerance X.X ±0.30 X.XX ±0.25 X.XXX ±0.15 Angle ±2.0°	Model Name:DP 180度 DIP 三脚鱼叉 母座			Drawing: Lijian
	Model No: WLDP-012A			Checked: Lijian
	UNIT: mm	SCALE: FULL	REVISION: A	SHEET 1/1
	Date: 2012.02.08			Approved: WEI JI YANG
	WLCO ® 深圳市兴万联电子有限公司 SHENZHEN XINGWANLIAN TECHNOLOGY CO.,LTD			DWG NO.
				FILE: C