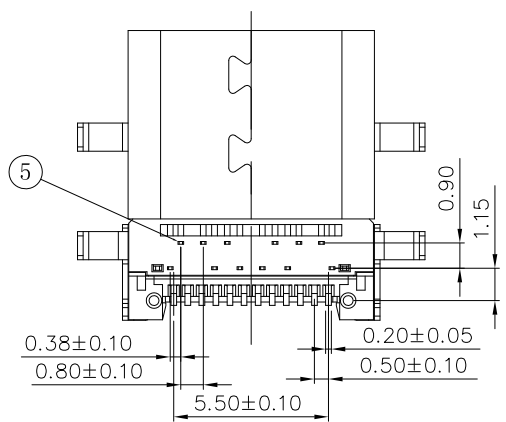
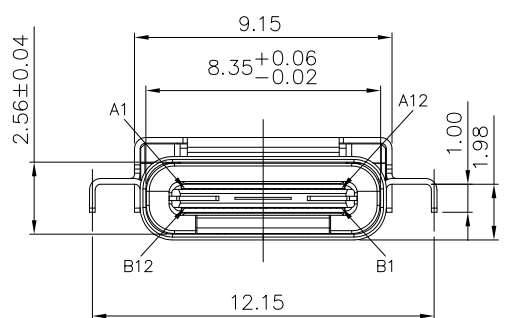
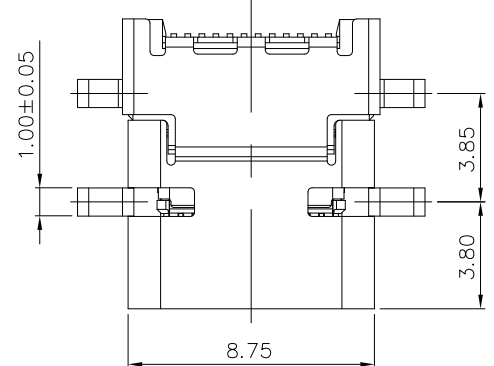
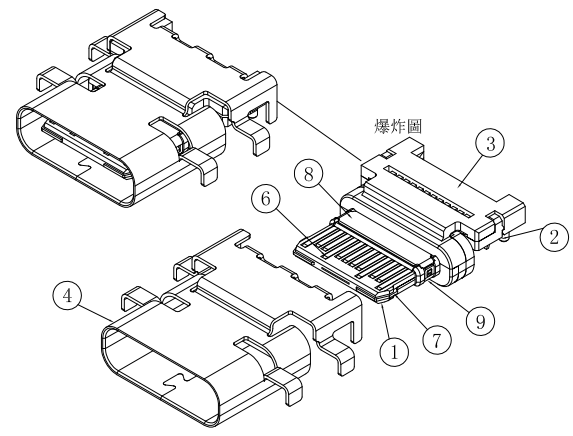
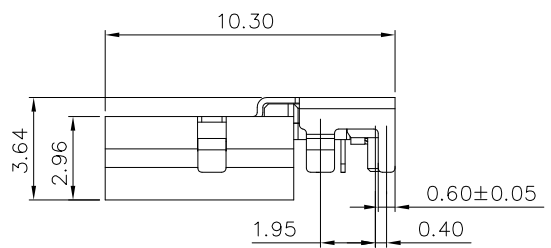


RoHS

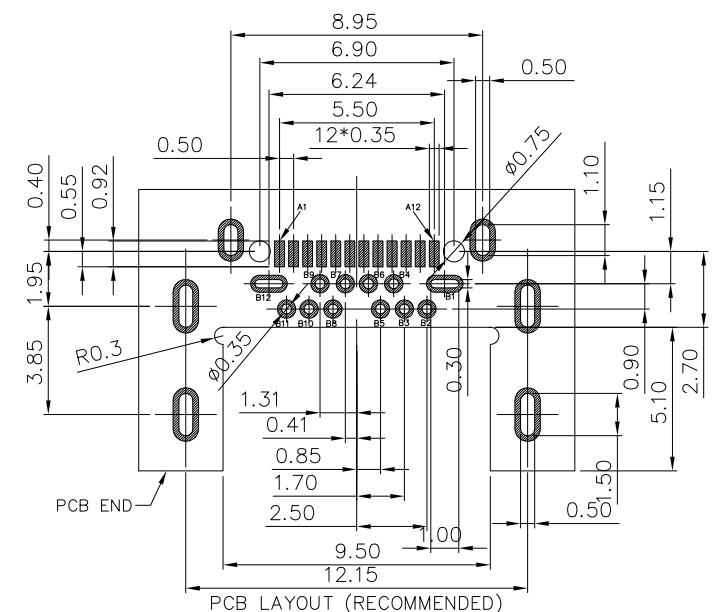


PIN	Signal Name	PIN	Signal Name
A1	GND	B12	GND
A2	SSTXp1	B11	SSRXp1
A3	SSTXn1	B10	SSRXn1
A4	VBUS	B9	VBUS
A5	CC1	B8	SBU2
A6	Dp1	B7	Dn2
A7	Dn1	B6	Dp2
A8	SBU1	B5	CC2
A9	VBUS	B4	VBUS
A10	SSRXn2	B3	SSTXn2
A11	SSRXp2	B2	SSTXp2
A12	GND	B1	GND



Mark	ECN NO.	DESCRIPTION	DESIGN	Date:
A		New		

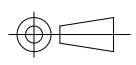
SPECIFICATION
 MATERIAL
 See drawing
 STANDARD DATA
 Rating current:1.5A
 ELECTRICAL
 Insulator resistance: 100M ohms Min
 Withstanding voltage: 100 VAC / minute
 Contact resistance: 40 m ohms Max
 MECHANICAL
 Mating force: 5~20N.
 Unmating force: 8~20N.
 Durability: 10000 cycles Min.



ITEM 項目	PARTS NAME 零件名稱	Q'TY 數量	MATERIAL 材質	FINISH/REMARK 處理/備註
1	Insermold housing	1	SYNTHETIC RESIN	Black
2	12pin Insermold-(1)	1	SYNTHETIC RESIN	Black
3	12pin Insermold-(2)	1	SYNTHETIC RESIN	Black
4	SHELL	1	STAINLESS	Ni:50u" Min
5	12pin Contact-(DIP)	12	COPPER ALLOY	Gold flash on contact area 100u" Tin on solder tails, base Nickel:50u"
6	12pin Contact-(SMT)	12	COPPER ALLOY	Gold flash on contact area 100u" Tin on solder tails, base Nickel:50u"
7	Shield SHELL	1	STAINLESS	base Nickel:50u" Min ;Tin:80u" Min Over All
8	Ground plate-top	1	STAINLESS	Ni:50u" Min
9	Ground plate-bottom	1	STAINLESS	Ni:50u" Min

Tolerance	X.X ±0.30
	X.XX ±0.25
	X.XXX ±0.15
	Angle ±2.0°

Model Name: USB 3.1 C TYPE 沉板前DIP/后SMT成品6脚插板				Drawing: PYP
Model No:				Checked: —
UNIT:	SCALE:	REVISION:	SHEET	Approved: Lijian
mm	Full	A	1/1	Date: 2015.09.22



YLTC 深圳市永利同创精密电子有限公司
 SHENZHEN YLTC TECHNOLOGY CO.,LTD

DWG NO.
 FILE: C