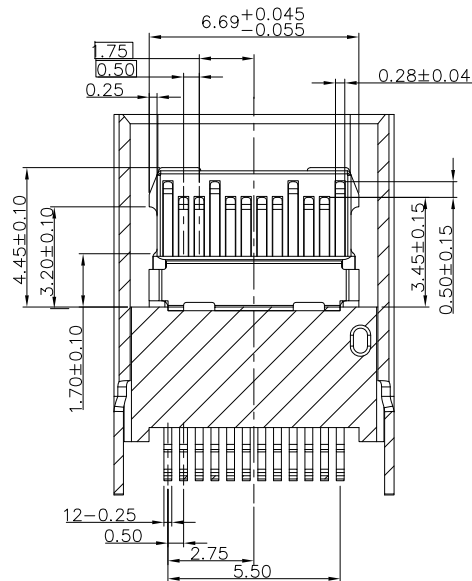
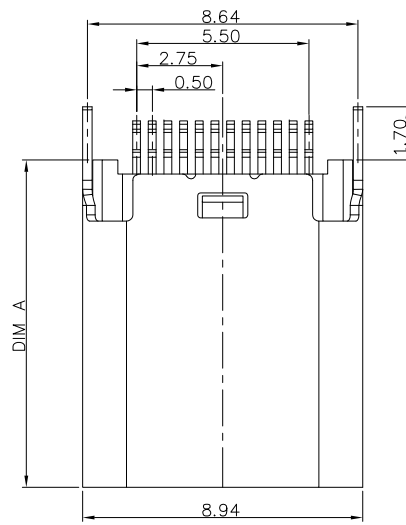
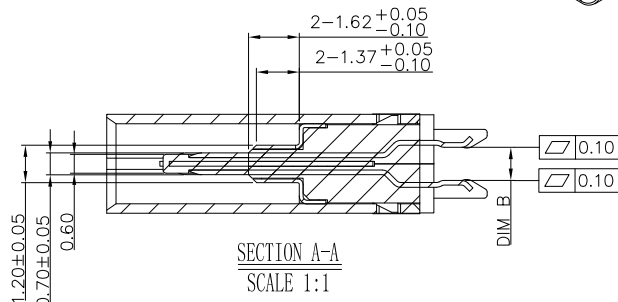
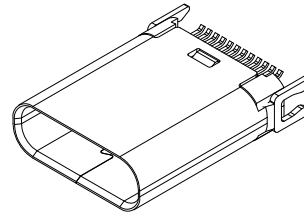
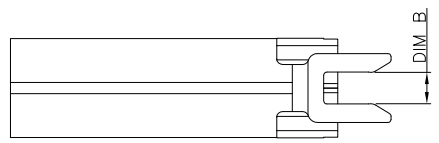
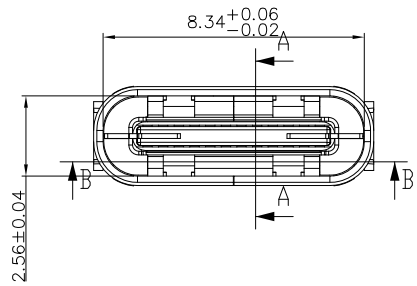


RoHS

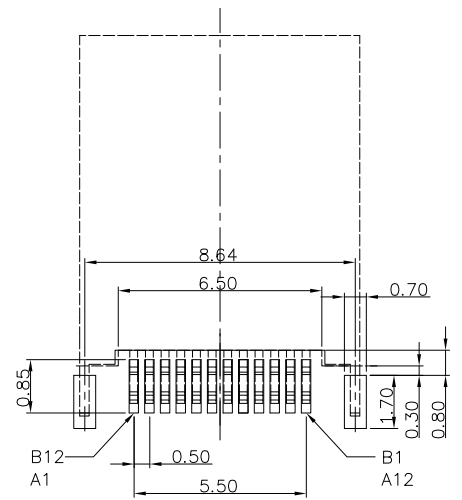
Mark	ECN NO.	DESCRIPTION	DESIGN	Date:
A	—	New	—	—



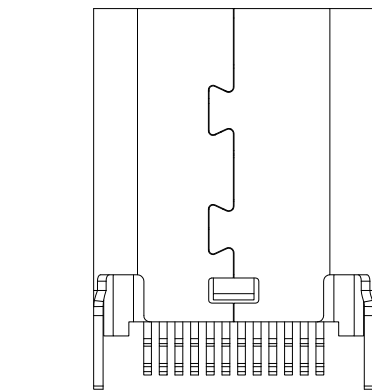
SECTION B-B
SCALE 1:1



SECTION A-A
SCALE 1:1

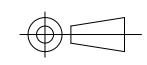


RECOMMENDED P.C.B. LAYOUT (T:1.00mm)
TOLERANCE UNSPECIFIED ±0.05mm



NO	DIM A	DIM B	NO	DIM A	DIM B
1	10.5	0.8	7	8.8	1.0
2	9.3	0.8	8	10.0	1.0
3	8.8	0.8	9	10.5	1.2
4	10.0	0.8	10	9.3	1.2
5	10.5	1.0	11	8.8	1.2
6	9.3	1.0	12	10.0	1.2

Tolerance
 X.X ±0.30
 X.XX ±0.25
 X.XXX ±0.15
 Angle ±2.0°



Model Name: USB 3.1 C TYPE FEMALE SPLINT CONNECTOR				Drawing: PYP
Model No:				Checked: —
UNIT:	SCALE:	REVISION:	SHEET	Approved: Lijian
mm	Full	A	1/1	Date: 2015.09.22
DWG NO.				FILE: C

YLTC 深圳市永利同创精密电子有限公司
 SHENZHEN YLTC TECHNOLOGY CO.,LTD

NOTES:

- MATERIAL:
 MOLDING: LCP UL94 V-0
 CONTACT: COPPER ALLOY.
 GOLD PLATED 30u" Min ON CONTACT AREA, 100u" Min TIN (LEAD FREE) ON SOLDER AREA,
 SHELL: SUS304-H, T=0.30±0.03mm
 50u" NICKEL PLATING OVER ALL.
 SHILD: SUS304-H, T=0.12±0.03mm
- MECHANICAL:
 INSERTION: 5~20N.
 EXTRACTION: 8~20N.
 DURABILITY: 10000 CYCLES
- ELECTRICAL:
 CURRENT: 5A MIN FOR VBUS;
 0.25A MIN FOR OTHER.
 VOLTAGE: 5VAC MAX
 WITHSTANDING VOLTAGE: 100V AC.
 CONTACT RESISTANCE: 40mΩ MAX.
 INSULATION RESISTANCE: 100MΩ MIN.
- ENVIRONMENTAL
 TEMPERATURE RANGE -55°C ~ +85°C