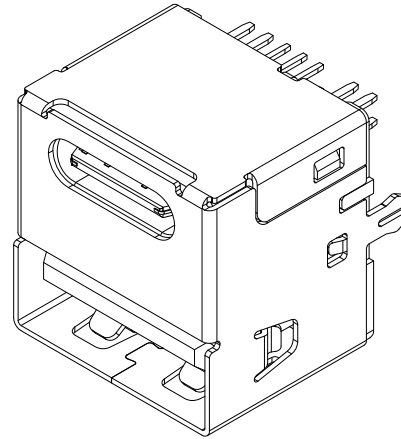
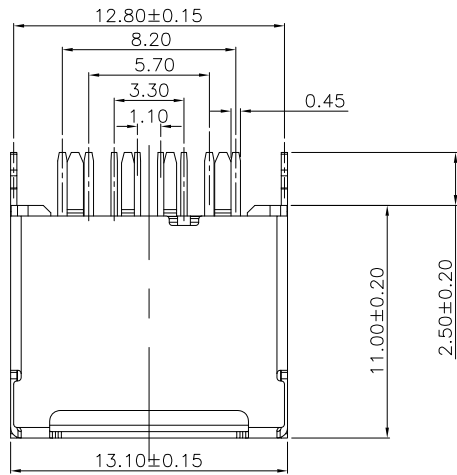


RoHS

Mark	ECN NO.	DESCRIPTION	DESIGN	Date:
A	—	New	—	—

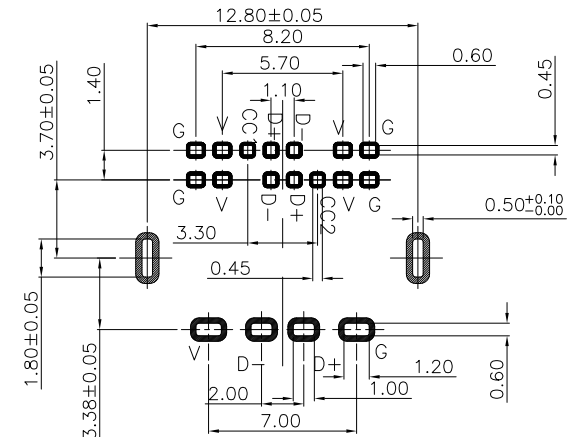
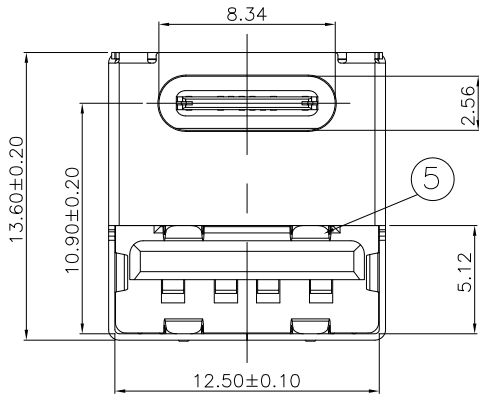
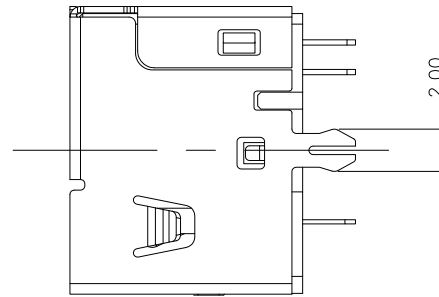


1.MATERIAL:
 MOLDING: LCP UL94 V-0
 CONTACT: COPPER ALLOY.
 GOLD PLATED ON CONTACT AREA, 100u"
 Min TIN (LEAD FREE) ON SOLDER AREA,
 SHELL: C2680-H,T=0.30±0.03mm
 50u" NICKEL PLATING OVER ALL.

2.MECHANICAL:
 INSERTION: 5~20N.
 EXTRACTION: 8~20N.
 DURABILITY: 5000 CYCLES

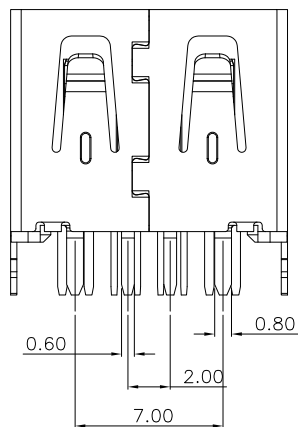
3.ELECTRICAL:
 CURRENT: 3A MIN FOR VBUS;

VOLTAGE: 5VAC MAX
 WITHSTANDING VOLTAGE: 100V AC.
 CONTACT RESISTANCE: 40mΩ MAX.
 INSULATION RESISTANCE: 100MΩ MIN.
 4.ENVIRONMENTAL
 TEMPERATURE RANGE -55°C ~ +85°C



Recommended P.C.B Layout

Tolerance: ±0.05



Tolerance X.X ±0.30 X.XX ±0.25 X.XXX ±0.15 Angle ±2.0°	Model Name: TYPE C母座14PIN+USB 2.0母单面插二合一				Drawing: PYP
	Model No:				Checked: —
	UNIT:	SCALE:	REVISION:	SHEET	Approved: Lijian
	mm	Full	A	1/1	Date: 2015.09.22
				DWG NO.	
深圳市永利同创精密电子有限公司 SHENZHEN YLTC TECHNOLOGY CO.,LTD				FILE: C	